

# INDUSTRIAL LED LIGHTING



TENJO/HB  
**EY968**

**LED HIGHBAY**

**170lm/W**



Car Accessories Workshop, Malaysia



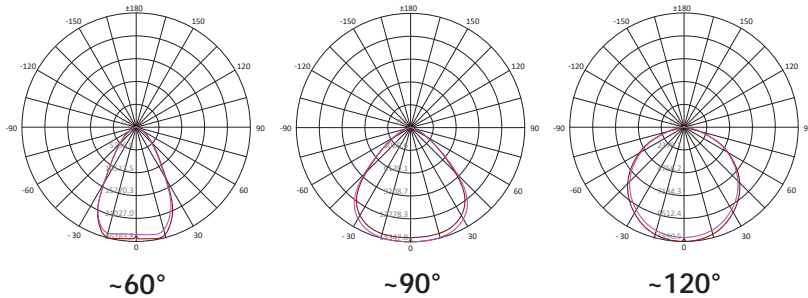
EY968-60W•80W•100W•120W

EY968- 150W

EY968- 200W

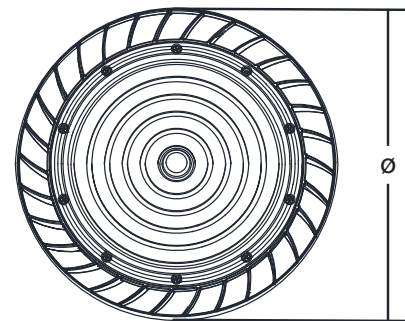
EY968-240W•300W

## PHOTOMETRY/BEAM ANGLE



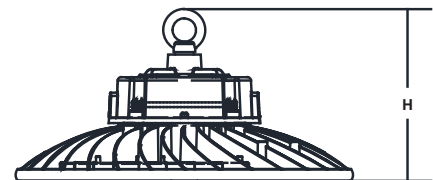
\* motion sensor version is 100° beam angle.

## PRODUCT DIMENSION



## PRODUCT FEATURES

- High Efficiency LED Highbay up to **170lm/W**
- IP65 protection against moisture & dust
- Easy & Quick Installation/Maintenance
- Aluminium die-cast body with effective heat dissipation design
- Last longer with separate LED Driver (Non AC driver on board)



\* Packaging Excludes Hook, and Chain, Only safety cable & I-bolt provided.

MODEL NO.	EY968-60W	EY968-80W	EY968-100W	EY968-120W	EY968-150W	EY968-200W	EY968-240W	EY968-300W
Power Consumption ±5% (W)	60W	80W	100W	120W	150W	200W	240W	300W
Luminaire Flux ±5% (lm)	10,800	14,000	17,000	20,400	25,500	34,000	40,800	51,000
System Efficacy ±5 (lm/W)	180	175	170	170	170	170	170	170
Power Factor (PF)	> 0.95	> 0.95	> 0.95	> 0.95	> 0.95	> 0.95	> 0.95	> 0.95
Wattage per LED Chip (W)	0.26	0.34	0.43	0.51	0.58	0.59	0.49	0.52
HID Equivalent	MH125W MH70W	MV150W	MV250W	MV250W MH250W	MV400W MH250W	MV400W MH400W	MH400W	MV1000W MH1000W
Net Weight (kg)	1.45	1.45	1.45	1.45	1.85	2.35	3.05	3.40
Gross Weight (kg)	2.10	2.10	2.10	2.10	2.80	3.50	4.45	4.65
Dimension (mm)	ø249 x 146			ø299 x 149	ø350 x 151	ø389 x 151		
Carton Dimension, L x W x H (mm)	300 x 300 x 130			350 x 350 x 130	410 x 410 x 130	435 x 435 x 140		
CBM (m <sup>3</sup> )	0.012			0.016	0.022	0.026		

Note: The above specified lumen and system efficiency based on standard CCT: 6000K, Beam: 90deg, Ra>70 without optional accessories.

## TECHNICAL SPECIFICATION

### ELECTRICAL SYSTEM

- **Input Voltage** : 100 - 240Vac, 50/60Hz, PF > 0.95
- **Driver Type** : Standard Non-Dimmable Driver
- **Insulation Class** : Class I

### LIGHT SOURCE / OPTIC

- **LED Type** : SMD 2835 with TM21 and LM80
- **Color Temperature (CCT)** : 6000K  
(Others CCT upon request)
- **Color Rendering Index (CRI)** : Ra > 70  
(Ra > 80, 90 upon request)
- **Life Time Residual Flux** : (L70), >50,000 hours @ Ta: 50°C
- **Optical System** : Standard 90°  
(60° and 120° Upon Request)
- **Working Temperature** : Ta = -10° to + 50°C

### FIXTURE/HOUSING

- **Ingress Protection (IP)** : IP65
- **Housing Material** : ADC 12 die-cast Aluminium
- **Housing Finish** : Akzo Nobel Epoxy Powder Coating - Black

### APPLICATION

- Warehouse • Factory • Halls & Retails • Hangar • Sport Centre

### COMPLIANCE

- **Type Test Certified (Luminaire)** : IEC 60598-1  
: IEC 60598-2-1
- **EMC Certified** : EN 61000-3-2, EN 61000-3-3  
: EN 55015, EN 61547
- **LED Compliances Test** : IESNA LM-80  
: TM-21

### OPTIONAL FEATURES/ACCESSORIES

- Motion Sensor (Standard/Bluetooth)
- DALI / 1-10V / 0-10V dimming Control
- Smart Control System
- Daylight Sensor/ other sensor
- U-Bracket Mounting
- Opal Anti-Glare Cover
- Prismatic Anti Glare PC Reflector



Optional Motion Sensor



Optional Prismatic Reflector