



SWE - SWAE - SCE - PE

SWE - SWAE - SCE - PE series sockets and plugs are normally used in the chemical and petrochemical plants, offshore platforms, refineries and any other industries where hazardous atmospheres are potentially present.



Function

The PLUGS - SOCKETS range is used for power supply of control and electrical installations, machineries and other equipment that need to be moved often for operational and/or maintenance reasons.

The explosion-proof plugs PE series have been designed to be used, in the safe area, in combination with industrial sockets built in conformity to International Standards IEC60309, so to facilitate the power supply of explosion proof equipment connected also in the safe area (e.g. for maintenance purposes) without the necessity to have a dedicated socket. On the other side, the explosion-proof socket SWE - SWAE and SCE series have been designed to disable the insertion of an industrial plug so as to avoid any risk of supplying power inside a hazardous area to a non-protected electrical equipment.

Construction

The materials used to manufacture the PLUGS & SOCKETS series have been studied to grant the maximum protection against the highly corrosive agents present in these plants:

- the body in glass fiber reinforced polyester (GRP), provides a very high mechanical strength together with a good resistance against the UV ray effects;
- the gasket on cover grants an IP66 protection level ;
- the internal electrical components are fully sealed so as to prevent any corrosive action that could cause electrical faults;
- the wall type sockets SWE-SWAE series (all sizes) have two cable entries to allow a loop-in loop-out installation.
- all the wall type sockets SWE-SWAE series are equipped, as standard, with one stopping plugs ATEX certified and with an internal brass connecting plate.
- the wall type SWE - SWAE series and coupler type sockets SCE series can be protected with a padlock to avoid unauthorized connections.



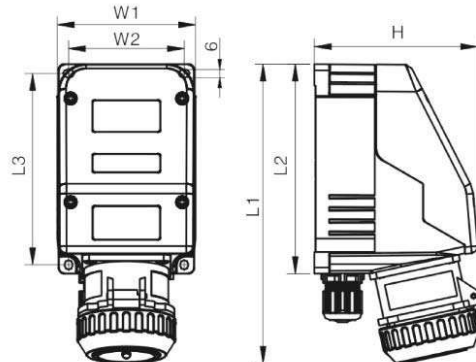
The plugs and sockets have been provided with a self-cleaning system. An elastic shutter type spring casing has been installed in the inserting sleeve of the socket which ensures low contact resistance and low temperature rise while reducing the inserting and pulling-out force.



SWE & SWAE wall type socket

Plug & Sockets 16A

code	voltage		poles		W1	W2	L1	L2	L3	H	Kg
SWE 216V	20-25V	●	2	2P	103	86	223	156	142	122	1.2
SWE 216W	40-50V	●	2	2P	103	86	223	156	142	122	1.2
SWE 216D	20-50VDC	●	2	2P	103	86	223	156	142	122	1.2
SWE 316V	20-25V	●	3	2P +	103	86	223	156	142	122	1.2
SWE 316W	40-50V	●	3	2P +	103	86	223	156	142	122	1.2
SWE 316Y	110-130V	●	3	2P +	103	86	223	156	142	122	1.2
SWE 316YN	110-130V	●	3	1P + N +	103	86	223	156	142	122	1.2
SWE 316B	200-250V	●	3	2P +	103	86	223	156	142	122	1.2
SWE 316BN	200-250V	●	3	1P + N +	103	86	223	156	142	122	1.2
SWE 416B	200-250V	●	4	3P +	123	106	241	176	163	147	1.2
SWE 416R	380-415V	●	4	3P +	123	106	241	176	163	147	1.2
SWE 416X	480-500V	●	4	3P +	123	106	241	176	163	147	1.2
SWE 416Z	600-690V	●	4	3P +	123	106	241	176	163	147	1.2
SWE 516R	200-250V 380-415V	●	5	3P + N +	123	106	241	176	163	147	1.2
SWAE 416R	380-415V	●	4	3P +	123	106	241	176	163	147	1.2
SWAE 416X	480-500V	●	4	3P +	123	106	241	176	163	147	1.2
SWAE 416Z	600-690V	●	4	3P +	123	106	241	176	163	147	1.2
SWAE 516R	200-250V 380-415V	●	5	3P + N +	123	106	241	176	163	147	1.2



Protection and electrical data

certificate number:	IECEx CML 17.0091X	CML 17 ATEX 1176X
marking:	Ⓔ II 2GD Ex db eb II CT5 / T6 Gb	Ex tb III C T95°C / T80°C Db
ambient temperature:	-40°C +45°C / 55°C	
degree of protection:	IP65 / 66	
conformity:	Directive ATEX 2014/34/EU	
standards:	IEC60079-0 / IEC60079-1 / IEC60079-7 / IEC60079-31 EN60079-0 / EN60079-1 / EN60079-7 / EN60079-31	
category:	suitable for Zone 1 - 2 (gas) and Zone 21 - 22 (dust)	
rated current:	16A	
rated voltage:	up to 690V	
rated switch capacity:	AC3 690V/16A	DC1 50V/16A
terminals:	2 x 2.5 mm ² (Wall & Coupler Socket) 1 x 2.5 mm ² (Plug) 1 x 1 mm ² (AUX)	
cable entries:	2 x M25x1.5 (Wall Socket), Wall Socket Unit c/w one brass plug.	
cable diameters:	5~18.5 mm	