

HLL linear LED lighting-hazardous area

Product introduction

HLL series is an extremely robust linear LED luminaire in an aluminum housing with a high impact polycarbonate diffuser for use in Zone 1, 2, 21 and 22 hazardous environments.

The use of high quality LED chips, along with Crouse-Hinds' industry knowhow in extracting heat from electrical products in hazardous, gaseous environment, ensures benchmark longevity for HLL in operation. With the added benefits of energy savings, lower maintenance, overall lower cost of ownership and importantly, contributes to a greener environment.



Product features

Model	Length	Color temp.	Nominal lumens	Wattage	Equivalent fluorescent luminaire
HLL-2-3L series	735mm	5700K	Approx.2800	<30W	2x18W
HLL-4-5L series	1335mm	5700K	Approx.5700	<60W	2x36W

* Lumen values apply to 5700K light color, 70 CRI fixtures. Lumen output may vary slightly for different models.

* Tolerance+/-10%

- Reliability
 - Polycarbonate, 4J impact resistant
 - Cooper free aluminum for excellent corrosion and heat transfer properties
 - IP66 protection
 - Suitable for zone 1, 2, 21 and 22 gas and dust atmospheres
 - Highest temperature class T6

- Permissible ambient temperature:
 - Standard luminaire: -40°C~+55°C
 - Emergency luminaire: -25°C~+55°C
 - Standard 5700K, also available for 3000K, 4000K, 5000K, 6500K.
- Anti shock and vibration proof
- Mercury-free
- Instant ON without time delay
- Rated life of 5 years up to 55°C provides long term, low-maintenance operation.

Technical data

IECEx-certification of conformity	IECEx NEP 19.0003X, IECEx SEV 19.0053X, SEV 20 ATEX 0379 X
Ex marking	Ex db eb ib mb IIC T6 Gb or Ex eb ib mb IIC T6 Gb* Ex tb IIIC T80°C Db
Ambient temp	-40°C to 55°C (Normal) -25°C to 55°C (Emergency)
Rated input volt	100~240 VAC; 108~250 VDC
Power factor	>0.9
CRI	Cool white>70 as standard, CRI>80 is optional
LED module	HLL 2 series: 2x14W HLL 4 series: 2x28W
Lumen output*	HLL 2 series: 2800Lm, 5700K HLL 4 series: 5700Lm, 5700K HLL 2 series: 2700Lm, 3000K HLL 4 series: 5600Lm, 3000K
Material	Aluminum
Weight	HLL 2 series Normal: 5kg HLL 2 series Em: 6kg HLL 4 series Normal: 10kg HLL 4 series Em: 12kg
Terminals	6mm ²
Out line dimension	HLL 2 series: 735x180x130(mm) HLL 4 series: 1335x180x130(mm)
Backup duration & lumen percentage	EM1=1.5h, 25% output, EM2=3h, 25% output
IP (IEC60529)	IP66

* Tolerance+/-10%

HLL linear LED lighting-hazardous area

Ordering information

Product Type	Color Temp ¹⁾	Terminals	Through wiring ²⁾		Entry Threaded	Ex e Threaded Plug ³⁾	Part No. ⁴⁾
			Single-ended	Twin-ended			
HLL-3L							
HLL-2-3L-D-1/6-220	5700K	1x6	●	-	2xM20	1	CCL1622395U
HLL-2-3L-D-2/6-220		2x6	-	●	4xM20	2	CCL1622411U
HLL-3L Emergency							
HLL-2-3L-D-EM1-1/6-220	5700K	1x6	●	-	2xM20	1	CCL1622427U
HLL-2-3L-D-EM1-2/6-220		2x6	-	●	4xM20	2	CCL1622443U
HLL- 5L							
HLL-4-5L-D-1/6-220	5700K	1x6	●	-	2xM20	1	CCL1622779U
HLL-4-5L-D-2/6-220		2x6	-	●	4xM20	2	CCL1622795U
HLL- 5L Emergency							
HLL-4-5L-D-EM1-1/6-220	5700K	1x6	●	-	2xM20	1	CCL1622811U
HLL-4-5L-D-EM1-2/6-220		2x6	-	●	4xM20	2	CCL1622827U

¹⁾ Tolerance +/- 10%

²⁾ Through wiring 6 x 2.5 mm²

³⁾ Standard version without cable gland. if need, please order separately

⁴⁾ Default=IECEX certified; Suffix A=ATEX certified; Suffix B=GB certified

Any other types, like M25, Coating, Replacement version, please contact Crouse-Hinds sales.

Metallic cable glands (order separately)

ADE-1F2

Catalog #	Metric Thread Size	Cable Types	Cable sealing range - Min	Cable sealing range - Max
ADE1M201NPN	M20	Non-armoured,	4.5	8.5
ADE1M202NPN	M20	Marine shipboard,	7.0	12.0
ADE1M203NPN	M20	Type P; Tray cable (armoured)	10.0	16.0



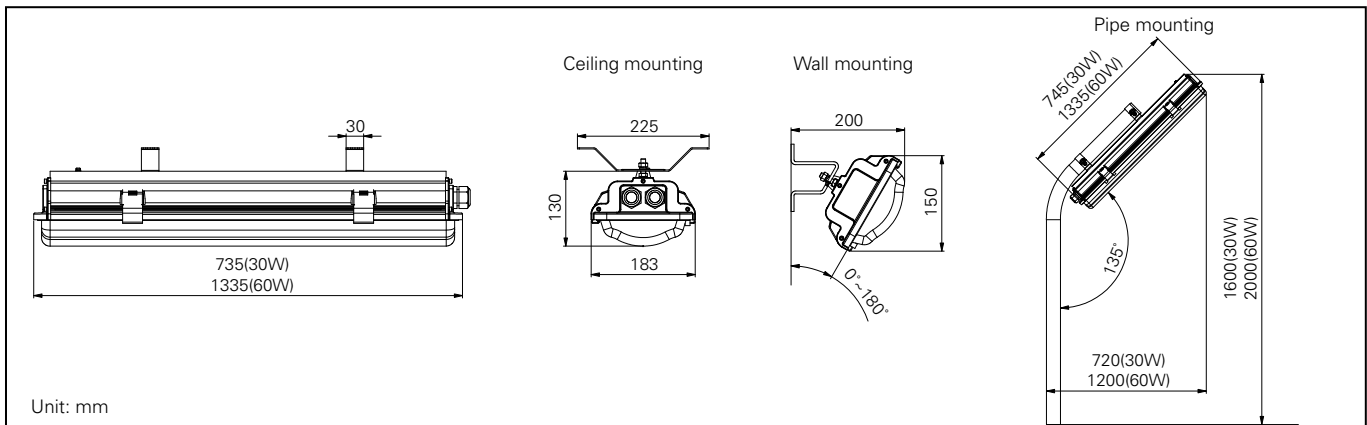
ADE-4F

Catalog #	Metric Thread Size	Cable Types	Cable sealing range inner sheath		Cable sealing range outer sheath		Armor	
			Min.	Max.	Min.	Max.	Min.	Max.
ADE4M201NPN	M20	SWA, SWB, STA,	4.5	8.0	7.0	12.0	0.2	0.9
ADE4M202NPN	M20	Braided marine shipboard,	7.0	12.0	10.0	16.0	0.2	1.3
ADE4M203NPN	M20	Type P; Leadsheathed cable (with addition of earthing washer)	10.0	15.5	13.5	21.0	0.2	1.3



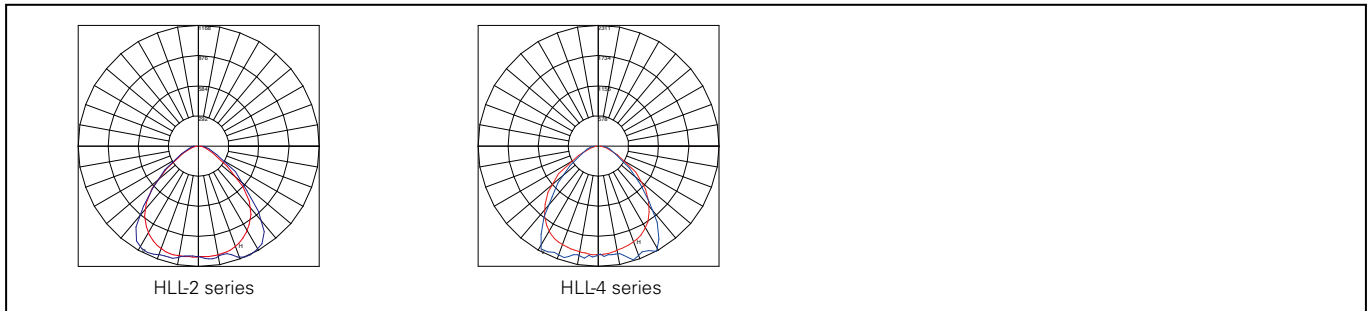
ADE-1F2 and ADE-4F catalog numbers are for nickel-plated brass; For other material options, please contact our sales representative.

Dimension

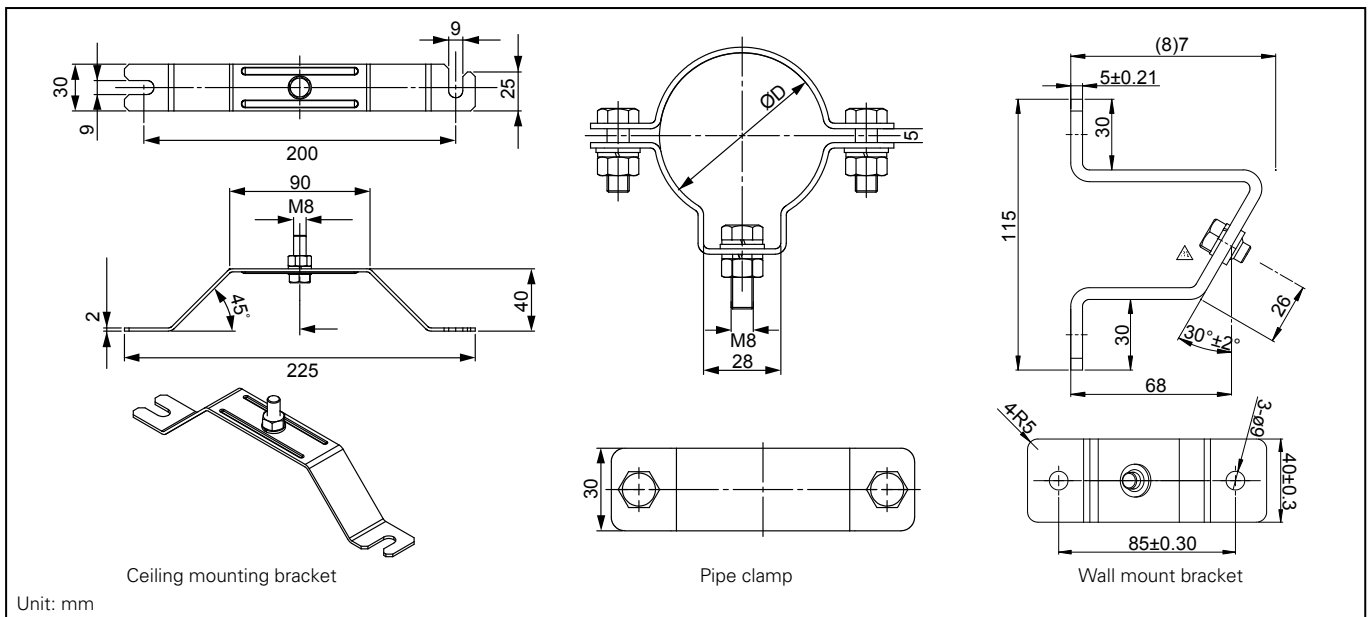


HLL linear LED lighting-hazardous area

Polar curve



Mounting accessories (To be ordered separately)



Pipe mounting

Part No	Description	Qty
CHR11076	Pipe clamp assy D42 316S/S	2
CHR11079	Pipe clamp assy D51 316S/S	2

Wall mounting

Part No	Description	Qty
CHR11073	Wall suspension 316S/S	2

Ceiling mounting

Part No	Description	Qty
CHR11099	Ceiling mounting BKT 316S/S	2