

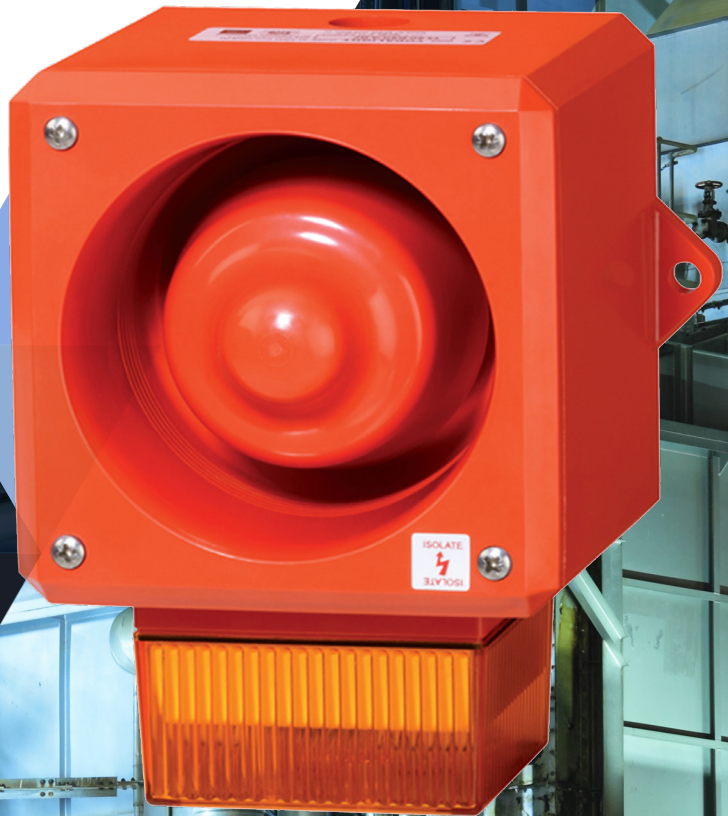


Clifford & Snell®



Yodalight® YL50

Multi-purpose Audible & Visual Signalling Device designed for use in Fire, Commercial, Industrial & Marine applications



PRODUCT FEATURES

- Max sound output 112 dB(A) @ 1m
- IP66 rated as standard
- Beacon options include:
 - High Brightness LED
 - 5 Joule Xenon Strobe
- 32 selectable tones meeting international regulations
- Flame retardant ABS enclosure
- Stainless steel fixings
- 2 stage alarm
- Independently selectable second stage option
- Lens available in eight colours
- Low current consumption

Product Approvals

Marine Equipment Directive MED
Regulations EN 54-3:2014 incl. A1:2019
IEC 60092-504:2016 IEC 60533:2015
Module B (BSI/MED/3.53/756093)
Module D (BSI/MED/PC/756095)



BS EN 54-3 : 2001 + A1:2002 + A2:2006
Type B
0086-CPR-774029

Merchant Shipping (Marine Equipment)
Regulations EN 54-3:2014 incl. A1:2019,
IEC 60092-504:2016, IEC 60533:2015
Module B (BSI/UK/3.53/738807)
Module D (BSI/UK/PC/738808)



BS EN 54-3 : 2001 + A1:2002 + A2:2006
Type B
KM 713890



EN 54-3 : 2001 + A1:2002 + A2:2006
Type B
2797-CPR-713892



Compliant

TECHNICAL DATA

Electrical Data		
Operating Voltage	Current Draw	
	LED	Xenon
24vDC ---	100mA at Tone 1	345mA
48vDC ---	64mA	175mA
115vAC ~	62mA	130mA
230vAC ~	38mA	95mA

Ambient Conditions	
Operating Temperatures	
Standard General	-35 °C to +70 °C
EN54 Pt:3 Fire	-25 °C to +55 °C
Storage Temperature	-40 °C to +70 °C
Max. Relative Humidity	93% ± 3 at 40 °C

Mounting / Installation

Devices should be mounted to a suitable flat wall or bulkhead avoiding any undue vibration and using the two lugs projecting from the case. The lugs are bored 8mm on 153mm centres. The minimum length of fixing screw required is 25mm. To maintain the IP rating of the enclosure, the cable entries must be fitted with a suitably rated cable gland (included). Max cable termination 2.5mm².

Mechanical Data	
Enclosure Material	ABS FR UL94 5VB
Lens Material	PC FR UV Stable UL94 HB
External Fixings	Stainless Steel
Degree of Protection	IP66 (IEC60529)

Acoustic Data	
Maximum Volume Output	112dB (A)
Volume Control Adjustment	-18 dB (A)
2 Stage Alarm with predetermined second stage as standard.	
Selectable second stage option available (DC units only) (2)	

Luminous Characteristics		
Array Type	Voltage	Power/Output Type
LED	24vDC --- (**)	25 High Brightness LEDs
	48vDC --- (**)	25 High Brightness LEDs
	115vAC ~ (**)	25 High Brightness LEDs
	230vAC ~ (**)	25 High Brightness LEDs
Xenon	24vDC --- (*)	5 Joule Output
	48vDC --- (*)	5 Joule Output
	115vAC ~ (*)	5 Joule Output
	230vAC ~ (*)	5 Joule Output
Flash Rate	(*) 60 FPM, (**) 60/120 FPM User Selectable	

Line integrity on DC systems

- For 3 wire 2 stage alarm system, monitor via reverse polarity.
- For 2 wire 2 stage alarm system, monitor via threshold, (applied voltage < 1v) an end-of-line (E.O.L) resistor is required for line monitoring and should have a minimum resistance of 3k3 Ohms and 0.5 Watts, wire-wound or metal film type.

Standard Alarm Stage Options

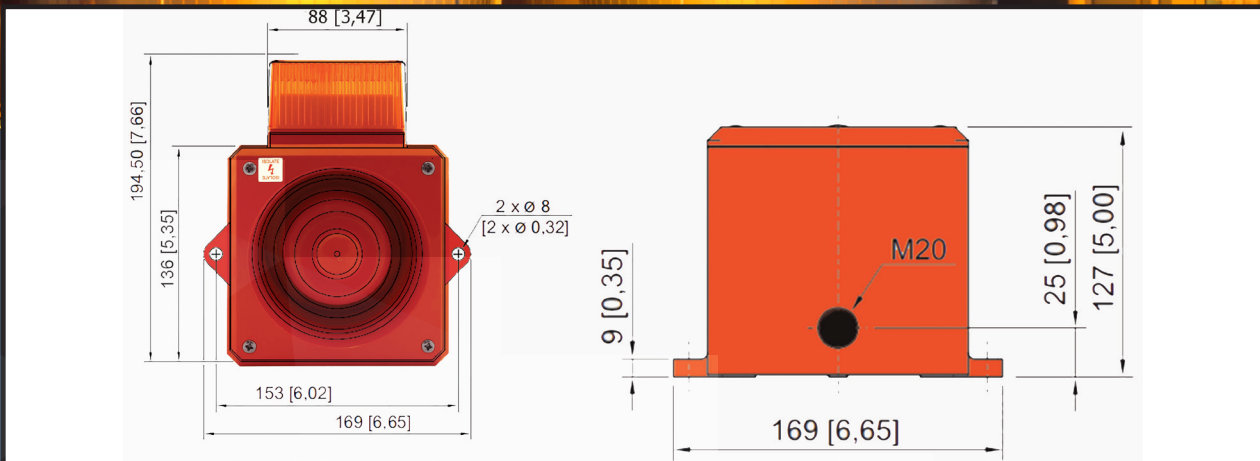
Standard units offer a 2 stage alarm system with a predetermined second stage (see Tone Table on the Installation Sheet for details). A selectable second stage option is available for DC units only with the (2) prefix code in the selection table on pages 3 & 5.

Additional Stage Alarm Options

Units with up to 8 independently selectable stages are available in a range of input voltages. However, these units do not carry any 3rd party approvals. Contact our technical department for further information.

Dimensional Drawing

We reserve the right to make alterations to the technical data, dimensions, weights, designs and products available without notice. The illustrations cannot be considered binding. All Dimensions in mm [inches] - Subject to alterations



SELECTION

Version	Enclosure Colour	Rated Operational Voltage	Lens Colour	Effective Candela (cd)	Order Number	Art. No.	Weight (kg)
YL50 Sounder/LED combination BS EN 54 Pt:3 UKCA, CE, EU MED & UK MER	Red Flame (RF) RAL 2002	24vDC ---	Amber	62.31	YL50/DL/A/RF/WR	245650	1.010
			Red	55.12	YL50/DL/R/RF/WR	245651	1.010
			Green	69.23	YL50/DL/G/RF/WR	245652	1.010
			Opal	33	YL50/DL/O/RF/WR	245653	1.010
			Blue	10.27	YL50/DL/B/RF/WR	245654	1.010
			Clear	78.97	YL50/DL/C/RF/WR	245655	1.010
			Yellow	66.83	YL50/DL/Y/RF/WR	245656	1.010
			Magenta	19.12	YL50/DL/M/RF/WR	245657	1.010
		24vDC --- Independently Selectable 2 nd Stage Version	Amber	62.31	YL50/DL/A/RF/WR(2)	245658	1.010
			Red	55.12	YL50/DL/R/RF/WR(2)	245659	1.010
			Green	69.23	YL50/DL/G/RF/WR(2)	245660	1.010
			Opal	33	YL50/DL/O/RF/WR(2)	245661	1.010
			Blue	10.27	YL50/DL/B/RF/WR(2)	245662	1.010
			Clear	78.97	YL50/DL/C/RF/WR(2)	245663	1.010
			Yellow	66.83	YL50/DL/Y/RF/WR(2)	245664	1.010
			Magenta	19.12	YL50/DL/M/RF/WR(2)	245665	1.010
		48vDC ---	Amber	62.31	YL50/FL/A/RF/WR	245666	1.010
			Red	55.12	YL50/FL/R/RF/WR	245667	1.010
			Green	69.23	YL50/FL/G/RF/WR	245668	1.010
			Opal	33	YL50/FL/O/RF/WR	245669	1.010
			Blue	10.27	YL50/FL/B/RF/WR	245670	1.010
			Clear	78.97	YL50/FL/C/RF/WR	245671	1.010
			Yellow	66.83	YL50/FL/Y/RF/WR	245672	1.010
			Magenta	19.12	YL50/FL/M/RF/WR	245673	1.010
		115vAC ~	Amber	62.31	YL50/LL/A/RF/WR	245674	1.090
			Red	55.12	YL50/LL/R/RF/WR	245675	1.090
			Green	69.23	YL50/LL/G/RF/WR	245676	1.090
			Opal	33	YL50/LL/O/RF/WR	245677	1.090
Blue	10.27		YL50/LL/B/RF/WR	245678	1.090		
Clear	78.97		YL50/LL/C/RF/WR	245679	1.090		
Yellow	66.83		YL50/LL/Y/RF/WR	245680	1.090		
Magenta	19.12		YL50/LL/M/RF/WR	245681	1.090		

SELECTION

Version	Enclosure Colour	Rated Operational Voltage	Lens Colour	Effective Candela (cd)	Order Number	Art. No.	Weight (kg)
YL50 Sounder/LED combination BS EN 54 Pt:3 UKCA, CE, EU MED & UK MER	Red Flame (RF) RAL 2002	230vAC ~	Amber	62.31	YL50/NL/A/RF/WR	245682	1.090
			Red	55.12	YL50/NL/R/RF/WR	245683	1.090
			Green	69.23	YL50/NL/G/RF/WR	245684	1.090
			Opal	33	YL50/NL/O/RF/WR	245685	1.090
			Blue	10.27	YL50/NL/B/RF/WR	245686	1.090
			Clear	78.97	YL50/NL/C/RF/WR	245687	1.090
			Yellow	66.83	YL50/NL/Y/RF/WR	245688	1.090
			Magenta	19.12	YL50/NL/M/RF/WR	245689	1.090

SELECTION

Version	Enclosure Colour	Flash Energy	Rated Operational Voltage	Lens Colour	Effective Candela (cd)	Order Number	Art. No.	Weight (kg)
YL50 Sounder/Xenon combination BS EN 54 Pt:3 UKCA, CE, EU MED & UK MER	Red Flame (RF) RAL 2002	5J	24vDC ---	Amber	25.52	YL50/D50/A/RF/WR	204815	1.010
				Red	8.92	YL50/D50/R/RF/WR	204835	1.010
				Green	29.70	YL50/D50/G/RF/WR	204825	1.010
				Opal	65.78	YL50/D50/O/RF/WR	212038	1.010
				Blue	14.09	YL50/D50/B/RF/WR	204821	1.010
				Clear	72.10	YL50/D50/C/RF/WR	204823	1.010
			24vDC --- Independently Selectable 2 nd Stage Version	Amber	25.52	YL50/D50/A/RF/WR(2)	245562	1.010
				Red	8.92	YL50/D50/R/RF/WR(2)	245561	1.010
				Green	29.70	YL50/D50/G/RF/WR(2)	245563	1.010
				Opal	65.78	YL50/D50/O/RF/WR(2)	245564	1.010
				Blue	14.09	YL50/D50/B/RF/WR(2)	245565	1.010
				Clear	72.10	YL50/D50/C/RF/WR(2)	245566	1.010
			48vDC ---	Amber	25.52	YL50/F50/A/RF/WR	240260	1.010
				Red	8.92	YL50/F50/R/RF/WR	204603	1.010
				Green	29.70	YL50/F50/G/RF/WR	224578	1.010
				Opal	65.78	YL50/F50/O/RF/WR	245567	1.010
				Blue	14.09	YL50/F50/B/RF/WR	221236	1.010
				Clear	72.10	YL50/F50/C/RF/WR	245568	1.010
			115vAC ~	Amber	25.52	YL50/L50/A/RF/WR	204609	1.090
				Red	8.92	YL50/L50/R/RF/WR	204619	1.090
				Green	29.70	YL50/L50/G/RF/WR	212039	1.090
				Opal	65.78	YL50/L50/O/RF/WR	212040	1.090
				Blue	14.09	YL50/L50/B/RF/WR	204613	1.090
				Clear	72.10	YL50/L50/C/RF/WR	212041	1.090
			230vAC ~	Amber	25.52	YL50/N50/A/RF/WR	204627	1.090
				Red	8.92	YL50/N50/R/RF/WR	204646	1.090
				Green	29.70	YL50/N50/G/RF/WR	212042	1.090
				Opal	65.78	YL50/N50/O/RF/WR	204639	1.090
				Blue	14.09	YL50/N50/B/RF/WR	204633	1.090
				Clear	72.10	YL50/N50/C/RF/WR	204635	1.090
Purple (Magenta) & Yellow Beacon Lenses available upon request.								
24vAC versions are available upon request								