

6W Constant Current -SS Series

SS-6-XXX SB1



■ Approve

SELV

CE



■ Features

- Class II, SELV, built-in
- Input Voltage 220-240VAC
- Protections: SCP/OLP/OVP
- Power Factor 0.55C
- Efficiency $\geq 76\%$
- 5 years warranty

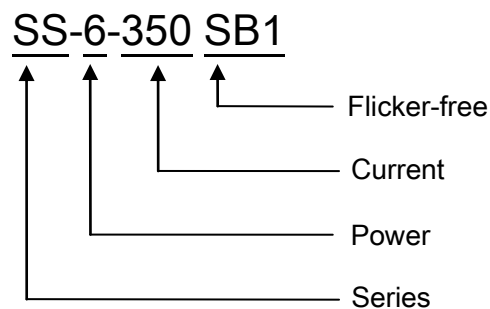
■ Applications

- LED panel
- LED spot light
- LED down light
- COB light

■ Description

SS-6-XXX SB1 is a 6W constant current LED driver with 300 to 700mA output current. With it's compact dimensions from 58.1 x 28.5 x 21 mm it is easy to integrate in LED Panel, spot, down light and COB light products. To ensure trouble-free operation, protection is provided against output short circuit and over Load.

■ Model code



6W Constant Current -SS Series

SS-6-XXX SB1

■ Specification

Input	Rated input voltage	220-240VAC					
	Range of input voltage	176-264VAC					
	DC voltage range	176-280V					
	Frequency(Hz)	0/50/60 Hz					
	Power Factor	0.55C@Full Load,240VAC					
	Input Current max	0.11A MAX. @Full Load,176VAC					
	Start-up time	< 0.5S					
	Unload Power Consumption	≤0.5W					
	Inrush Current	30A Max.					
	THD	< 200%@Full Load,240VAC					
	Leakage Current	< 0.7mA(240VAC)					
Output	Constant Current. *Note.3	300mA	350mA	400mA	500mA	...	700mA
	Unload voltage Max.	30VDC	30VDC	25VDC	22VDC	...	18VDC
	Voltage Range(VDC)	10-20VDC	12-20VDC	8-15VDC	6-12VDC	...	2.8-9VDC
	Rated power	6W Max.	7W Max.	6 W Max.	6 W Max.	...	6.3 W Max.
	Current Accuracy	±5% @220-240VAC					
	Voltage Regulation	±5% @Full Load , 220-240VAC					
	Load Regulation	±5% @220-240VAC					
	Hold-up Time	1s max.@Full Load					
	Ripple& Noise *Note.2	≤±5% @Full Load , 240VAC					
	Output LF current ripple(<120Hz)	≤±5% @Full Load , 240VAC					
	Efficiency(Typ.)	≥76%					
Protection	Over Load Protection	103-150%					
		Protection type: Auto Resume					
	Over Voltage Protection	> 30VDC	> 30VDC	> 25VDC	> 22VDC	...	> 18 VDC
	Protection type: Auto Resume						
	Short circuit Protection						
	Protection type: Auto Resume						
Environment	Operating Temperature	-20°C...+50°C					
	tc	85°C					
	Storage Temperature	-25°C...+60°C					
	Life time	> 30,000h@50°C					
	Humidity	20%-90%RH					
Others	Dimension	58.1X28.5X21 (LXWXH)mm					
Safety & EMC	Safety standards	EN 61347-1; EN61347-2-13; EN62384					
	Withstand voltage	Input-Output : 3750V/5mA/1min					
	Isolation resistance	Input-Output : ≥4MΩ@500VDC					
	EMI	EN55015; EN61000-3-2 Class A; EN61000-3-3					
	EMS	EN 61547; EN 61000-4-2; EN 61000-4-5 —500V;					
Note	1.All parameters NOT specially mentioned are measured at 240VAC input , full load and 25°C of ambient temperature. 2.Ripple & Noise are measured at 20MHz of bandwidth by using a 300mm twisted pair-wire terminated with a 0.1uF & 47 uF parallel capacitor. 3.Output current can be from 300mA to 700mA and increasing in multiples of 50mA. Please see Model list below and contact EAGLERISE for details..						

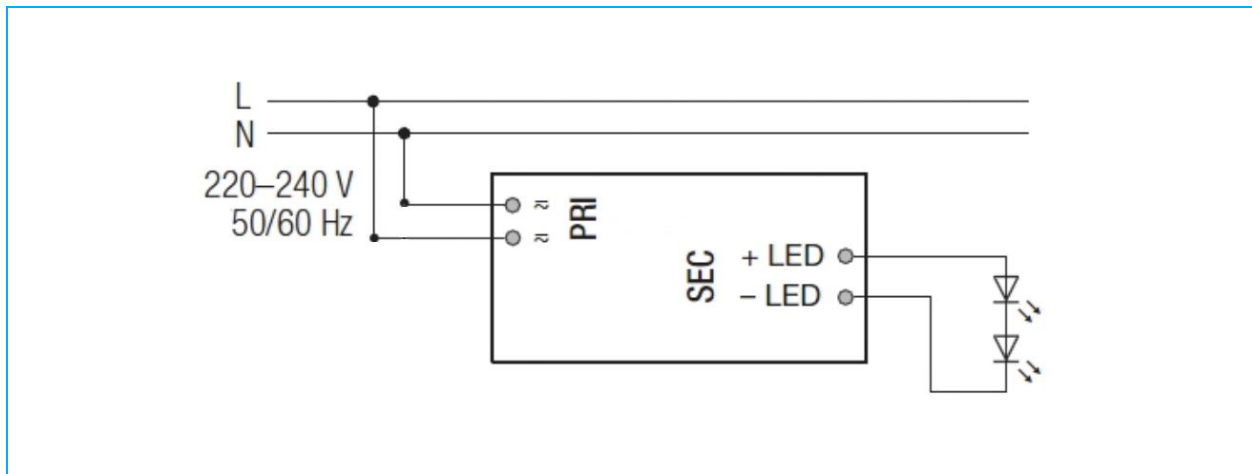
6W Constant Current -SS Series

SS-6-XXX SB1

Model list

No.	Model number	Input			Output			
		Voltage (VAC)	Max.Current (A)	Frequency (Hz)	Constant current (mA)	Normal working voltage (VDC)	No load working voltage (VDC)	Max. Power(W)
1	SS-6-300 SB1	220-240	0.11	50/60	300	10-20	30	6
2	SS-6-350 SB1	220-240	0.11	50/60	350	12-20	30	7
3	SS-6-400 SB1	220-240	0.11	50/60	400	8-15	25	6
4	SS-6-450 SB1	220-240	0.11	50/60	450	7-13.5	23	6.1
5	SS-6-500 SB1	220-240	0.11	50/60	500	6-12	22	6
6	SS-6-550 SB1	220-240	0.11	50/60	550	5.5-11	20	6.1
7	SS-6-600 SB1	220-240	0.11	50/60	600	5.5-10	20	6
8	SS-6-650 SB1	220-240	0.11	50/60	650	5.5-9.5	18	6.2
9	SS-6-700 SB1	220-240	0.11	50/60	700	2.8-9	18	6.3

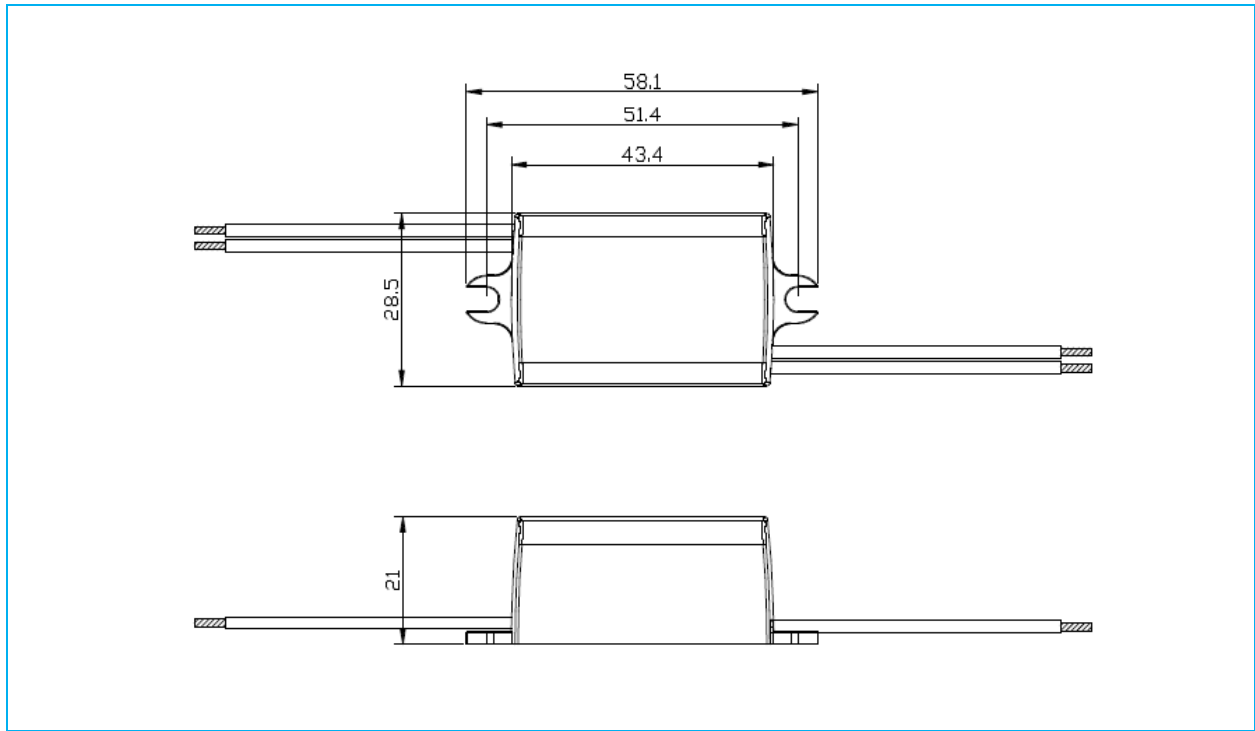
Wiring diagram



6W Constant Current -SS Series

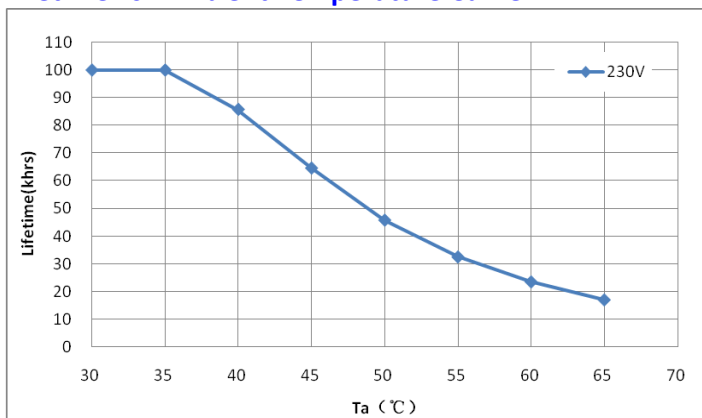
SS-6-XXX SB1

■2D diagram

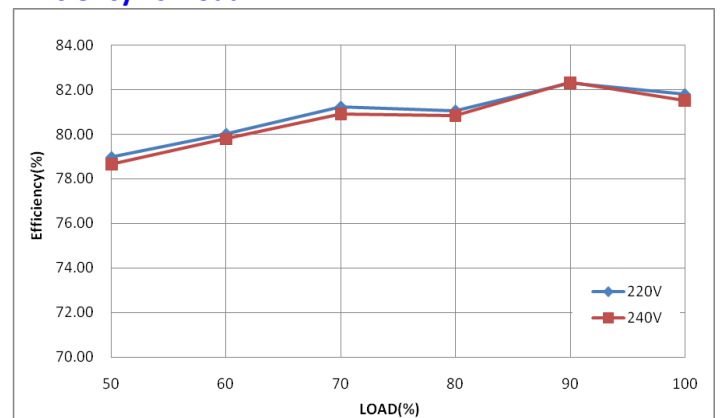


■Curve @SS-6-350 SB1

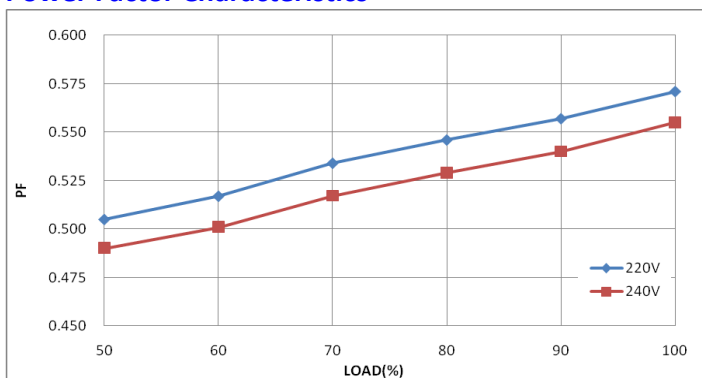
Lifetime vs. Ambient Temperature Curve



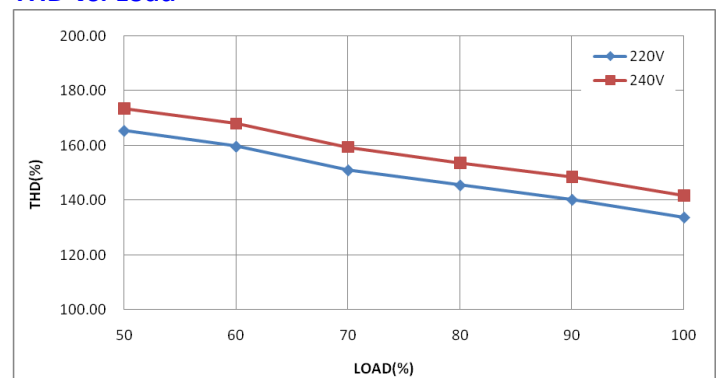
Efficiency vs. Load



Power Factor Characteristics



THD vs. Load



6W Constant Current -SS Series

SS-6-XXX SB1

■ Operating window

