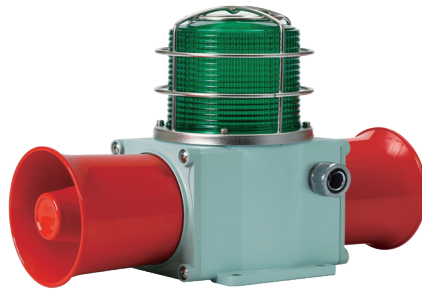


# Signal Beacon & Electronic Sounder for Vessels and Heavy Industry Applications

## SHD / SHD2 Series



SHDS



SHD2S

SHD/SHD2 Series are equipped with flexible connector at cable entry. Cable gland is an optional item.



Flexible connector



Cable gland

### SHDS / SHDSP Xenon Strobe Signal Beacon and Electronic Sounder Combination

Model number	Voltage	Current	Xenon lamp			Sound pattern and volume	Certificates	Weight	Color
			Spec	Standard	Parts no				
SHDS SHDSP	DC12V	2.500A	200V -550V	EUB0641 -1A(G) U type	48	·WS-5 Warning sounds: Max.114dB ·WP-5 Special warning sounds: Max.114dB ·WM-5 Melodies: Max.110dB ·WA-5 Alarms: Max.114dB ·WV-5 Customizable voices: 108-113dB	  	·SHDS DC-3.05kg AC-3.38kg	● R-Red ● A-Amber ● G-Green ● B-Blue
	DC24V	1.400A							
	AC110V	0.360A							
	AC220V	0.220A							

- Flashing rate: 60-80 flashes/min
- Ambient operating temperature: -30°C to +50°C
- ※ CE compliant: DC24V, AC220V

### SHD2S / SHD2SP Xenon Strobe Signal Beacon and Electronic Sounder Combination

Model number	Voltage	Current	Xenon lamp			Sound pattern and volume	Certificates	Weight	Color
			Spec	Standard	Parts no				
SHD2S SHD2SP	DC12V	4.000A	200V -550V	EUB0641 -1A(G) U type	48	·WS-5 Warning sounds: Max.114dB x 2 ·WP-5 Special warning sounds : Max.114dB x 2 ·WM-5 Melodies: Max.110dB x 2 ·WA-5 Alarms: Max.114dB x 2 ·WV-5 Customizable voices: 108-113dB x 2	-	·SHD2S DC-4.11kg AC-4.44kg	● R-Red ● A-Amber ● G-Green ● B-Blue
	DC24V	2.400A							
	AC110V	0.580A							
	AC220V	0.335A							

### SHD / SHDP Bulb Revolving Signal Beacon and Electronic Sounder Combination

Model number	Voltage	Current	Bulb			Sound pattern and volume	Certificates	Weight	Color
			Spec	Standard	Parts no				
SHD SHDP	DC12V	3.000A	12V15W	G23 15S	17	·WS-5 Warning sounds: Max.114dB ·WP-5 Special warning sounds: Max.114dB ·WM-5 Melodies: Max.110dB ·WA-5 Alarms: Max.114dB ·WV-5 Customizable voices: 108-113dB	  	·SHD DC-3.18kg AC-3.89kg	● R-Red ● A-Amber ● G-Green ● B-Blue
	DC24V	2.000A	24V15W	G23 15S	18				
	AC110V	0.450A	12V15W	G23 15S	17				
	AC220V	0.230A	12V15W	G23 15S	17				

- Revolving speed: 120-140RPM
- Ambient operating temperature: -20°C to +50°C
- ※ CE compliant: DC24V, AC220V

### SHD2 / SHD2P Bulb Revolving Signal Beacon and Electronic Sounder Combination

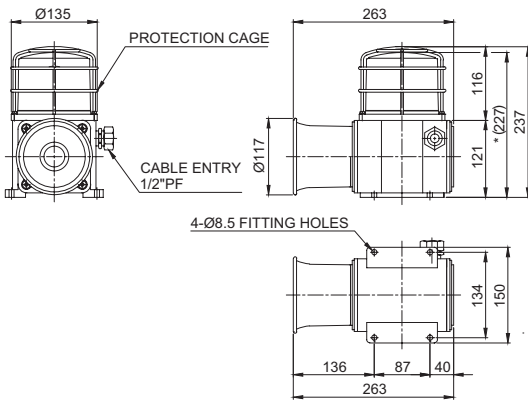
Model number	Voltage	Current	Bulb			Sound pattern and volume	Certificates	Weight	Color
			Spec	Standard	Parts no				
SHD2 SHD2P	DC12V	4.500A	12V15W	G23 15S	17	·WS-5 Warning sounds: Max.114dB x 2 ·WP-5 Special warning sounds : Max.114dB x 2 ·WM-5 Melodies: Max.110dB x 2 ·WA-5 Alarms: Max.114dB x 2 ·WV-5 Customizable voices: 108-113dB x 2	-	·SHD2 DC-4.23kg AC-4.95kg	● R-Red ● A-Amber ● G-Green ● B-Blue
	DC24V	2.755A	24V15W	G23 15S	18				
	AC110V	0.648A	12V15W	G23 15S	17				
	AC220V	0.324A	12V15W	G23 15S	17				

- ※ Max.built-in volume feature is based on WS, WP-Ch1 / WM-Ch4 / WA-Ch4.
- ※ In case of customized WV 5 tone type, there may be difference of volume depending on user's audio file type.

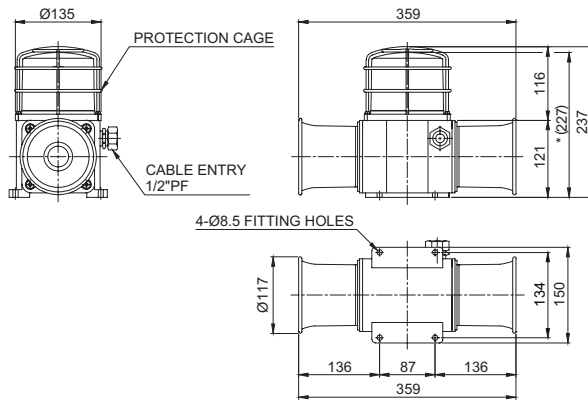
## Technical Diagram

Units: mm

### ·SHDP



### ·SHD2P



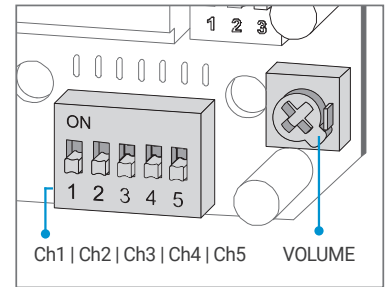
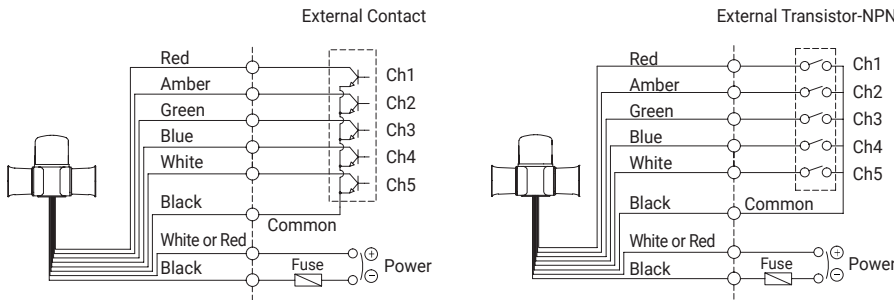
※ \*(227) represents SHD/SHD2 size without protection cage.

## Sound Selection Instructions and Wiring

- SHD Series-DC/AC
- SHD2 Series-DC/AC

· Customization: External contact(LC)

· Standard Type: Select sound using the switch inside of the unit. When you turn on the dip switch for each channel, the designated sound will be played.



## Wiring Instructions

· SHD, SHDLR, SHD2, SHD2LR - Black output line is negative(-).

## Sound tones for standard model

Sound	Built-in sound	Ch	Sound tone
WS	5 Warning sounds	Ch1	Fire.A-ANG
		Ch2	Emergency WA-U(Yelp)
		Ch3	Ambulance PI-PO(Hi-low)
		Ch4	Machinery Fault
		Ch5	High Expansion
WP	5 Special warning sounds	Ch1	Fire.A-ANG
		Ch2	Abandon Alarm
		Ch3	Machinery Fault
		Ch4	High Expansion
		Ch5	7 Short Pl. / 1 Long

Sound	Built-in sound	Ch	Sound tone
WM	5 Melodies	Ch1	Sweet Home
		Ch2	For Elise
		Ch3	Cuckoo's Waltz
		Ch4	Piano Sonata
		Ch5	Turkish March
WA	5 Alarms	Ch1	Beep Intermittent
		Ch2	Door Chime
		Ch3	Phone Ring
		Ch4	PI.PI.PI Short
		Ch5	Tripping Beat
WV	5 Customizable voices	Ch1- Ch5	Customized sound

※ Standard model has 5 warning sounds(WS), 5 special warning sounds(WP), 5 melodies(WM), 5 alarms(WA) and 5 customizable voices(WV).

## Ordering Specification

SHD2L	WA	24	R
[Model number]	[Sound]	[Voltage]	[Color]
SHDLR / SHDLRP	WS-Warning sounds	12-DC12V	● R-Red
SHD2LR / SHD2LRP	WP-Special warning sounds	24-DC24V	● A-Amber
SHDL / SHDLP	WM-Melodies	110-AC110V	● G-Green
SHD2L / SHD2LP	WA-Alarms	220-AC220V	● B-Blue
SHDS / SHDSP	WV-Customizable voices		
SHD2S / SHD2SP			
SHD / SHDP			
SHD2 / SHD2P			

## Customization

- 3/4" PF Cable entry(Standard: 1/2"PF)
- Cable gland type
- Customized external sound line type available: SHD/SHD2 Series have built-in switch for sound tone selection