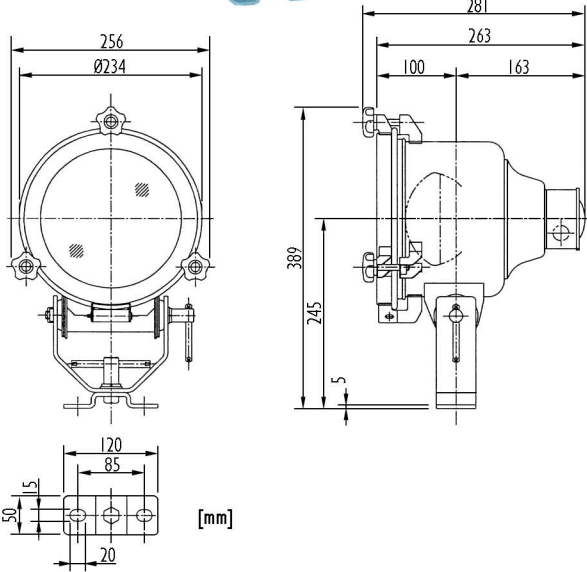


Marine Projector Floodlight with Front Glass



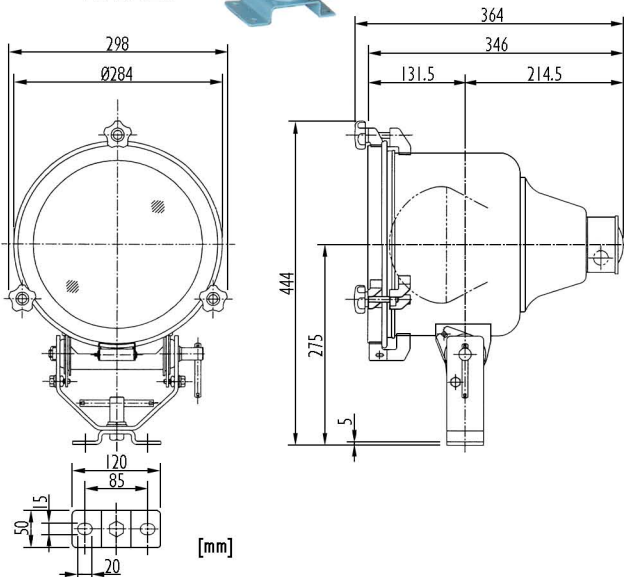
FDL-R22



Model	FDL-R22
<i>ingress protection</i>	IP 56
<i>mounting</i>	Flange
<i>material</i>	Stainless steel (body) Tempered front glass
<i>source voltage</i>	Max. 250V
<i>applicable lamp</i>	RF-H 100W/150W/200W RS-H 150W/200W
<i>lamp holder</i>	TE-26
<i>elevation angle</i>	Up 70°, Down 70°
<i>horizontal turning angle</i>	360°
<i>weight</i>	4.5 kg



FDL-R23



Model	FDL-R23
<i>ingress protection</i>	IP 56
<i>mounting</i>	Flange
<i>material</i>	Stainless steel (body) Tempered front glass
<i>source voltage</i>	Max. 250V
<i>applicable lamp</i>	RF-H 300W/500W RS-H 300W/500W
<i>lamp holder</i>	TE-39
<i>elevation angle</i>	Up 60°, Down 60°
<i>horizontal turning angle</i>	360°
<i>weight</i>	5.8 kg