

# REL5NM-CU

## RECESS LED

### NON-MAINTAINED COMPACT RECESS EMERGENCY LUMINAIRE



#### TECHNICAL SPECIFICATIONS

<b>MODEL NO:</b>	<b>REL5NM-CU</b>
Mode of Operation:	Non-Maintained
Lamp:	3W White LED
Rated Duration:	2 Hours
Mains Supply:	220-240 Volts, 50-60Hz
Power Consumption:	<0.5W
Battery:	High Temperature Lithium LiFePO4
Charger:	Constant Current/Constant Voltage, Short circuit protected
Charge Monitor:	LED
Test Facility:	Momentary Test Switch
Safety Features:	Low battery voltage cut off to prevent over discharge
Fitting Construction:	Injection moulded with fire retardant (UL94), high impact PC material
Weight:	Approx. 0.2kg
Standards / Compliance:	SS IEC 60598-2-22, SS 563, CB, IEC 61347-2-7, IEC 61347-2-13, IEC 62384, IEC 60598-1

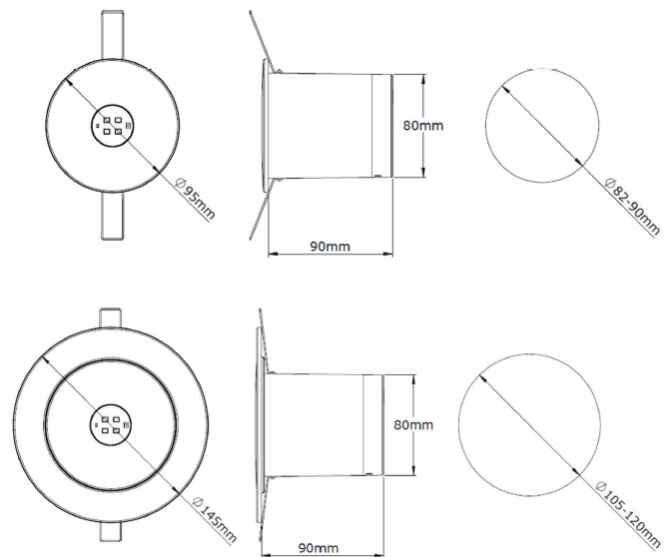
\*\*\*Note: Technical Specification subject to change without prior notice

#### Ordering Guide:

Ordering Code

REL5NM-CU

- All In One Compact design for fast installation and easy maintenance.
- Long life, environmental friendly Lithium Iron Phosphate (LiFePO4) battery.
- Low Heat generation, ensures long and reliable service life.
- Low battery voltage cut-off with latch function, to eliminate battery over discharge.
- Charge LED indicator and test switch
- Optimal for anti-panic ( open area ) and escape route lighting applications.
- High Quality, Long Life LED module.
- Energy savings, extra low standby power consumption.
- Recess mount



CLASS II



PSB Singapore



Type and batch tested with  
PSB PLS-LISTED LABEL