

EXB-LED-M-WP WEATHERPROOF LED

WELL-EQUIPPED EXIT LIGHT THAT
DEFIES HARSH ENVIRONMENTAL
CONDITIONS.



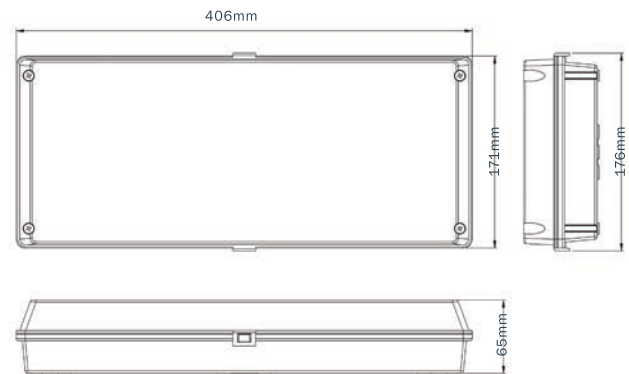
TECHNICAL SPECIFICATIONS

MODEL NO:	EXB-LED-M-WP
Mode of Operation:	Maintained
Lamp:	1.2W White LED module with burning life-span > 50,000 hours
Rated Duration:	3 Hours
Mains Supply:	220-240 Volts, 50-60Hz
Power Consumption:	3W (Total standby power inclusive of LED converter)
Battery:	High Temperature Nickel Cadmium
Charger:	Regulated variable rate
Charge Monitor:	LED
Test Facility:	Micro switch
Mounting:	Surface wall / Semi-recessed wall
Safety Features:	Low battery voltage cut off to prevent over discharge
Diffuser:	Injection moulded with fire retardant (UL94), high impact material
Fitting Construction:	Injection moulded with fire retardant (UL94), high impact material
Weight:	Approx. 1.2 Kg
Dimensions:	171mm (H) x 406mm (W) x 65mm (D)
Standards /	SS IEC 60598-2-22, SS 563

Ordering Guide:

Legend	Single Sided
	EXB-LED-M-WP-S-RM
	EXB-LED-M-WP-SR-RM
	EXB-LED-M-WP-SL-RM
	EXB-LED-M-WP-S
	EXB-LED-M-WP-SR
	EXB-LED-M-WP-SL

- Ultra bright white LEDs meeting ISO safety colour requirements.
- Exceeds SS IEC 60598-2-22 and SS 563 brightness requirements
- Extra low power consumption
- High Quality , Long Life SMD LED module
- Series connection of LEDs achieve a high level of uniform light distribution and ensuring maximum life span.
- Low battery voltage cut-off with latch function, to eliminate battery over discharge.



CLASS II



Type and batch tested with
PSB PLS-LISTED LABEL

IP65

***Note: Technical Specification subject to change without prior notice