

# Product datasheet

Specifications



## circuit breaker EasyPact Ezc100F - TMD - 80 A - 3 poles 3d

Ezc100F3080

### Main

|  |  |
|--|--|
| Range of product                       | EasyPact   |
| Product or component type              | Circuit breaker  |
| Device short name                      | EasyPact Ezc100F   |
| Circuit breaker name                   | EasyPact Ezc100F   |
| Device application                     | Distribution   |
| Poles description                      | 3P   |
| Protected poles description            | 3t   |
| Network type                           | AC<br>DC   |
| Network frequency                      | 50/60 Hz   |
| [In] rated current                     | 80 A at 40 °C  |
| [Ui] rated insulation voltage          | 690 V AC 50/60 Hz conforming to IEC 60947-2  |
| [Uimp] rated impulse withstand voltage | 6 kV conforming to IEC 60947-2   |
| [Ue] rated operational voltage         | 550 V AC 50/60 Hz conforming to IEC 60947-2<br>250 V DC conforming to IEC 60947-2  |
| Breaking capacity code                 | F  |
| Breaking capacity                      | 25 kA Icu at 110...130 V AC 50/60 Hz conforming to IEC 60947-2<br>25 kA Icu at 220...240 V AC 50/60 Hz conforming to IEC 60947-2<br>5 kA Icu at 125 V DC 1P conforming to IEC 60947-2<br>5 kA Icu at 250 V DC 2P conforming to IEC 60947-2<br>5 kA Icu at 550 V AC 50/60 Hz conforming to IEC 60947-2<br>10 kA Icu at 380 V AC 50/60 Hz conforming to IEC 60947-2<br>10 kA Icu at 400...415 V AC 50/60 Hz conforming to IEC 60947-2<br>7.5 kA Icu at 440 V AC 50/60 Hz conforming to IEC 60947-2 |
| [Ics] rated service breaking capacity  | 12.5 kA at 110/130 V AC 50/60 Hz conforming to IEC 60947-2<br>12.5 kA at 220/230/240 V AC 50/60 Hz conforming to IEC 60947-2<br>2.5 kA at 125 V DC conforming to IEC 60947-2<br>2.5 kA at 250 V DC conforming to IEC 60947-2<br>2.5 kA at 550 V AC 50/60 Hz conforming to IEC 60947-2<br>5 kA at 380 V AC 50/60 Hz conforming to IEC 60947-2<br>5 kA at 400/415 V AC 50/60 Hz conforming to IEC 60947-2<br>3.75 kA at 440 V AC 50/60 Hz conforming to IEC 60947-2                                |
| Suitability for isolation              | Yes conforming to IEC 60947-2  |
| Utilisation category                   | Category A   |
| Trip unit name                         | TM-D   |
| Trip unit technology                   | Thermal-magnetic   |
| Trip unit rating                       | 80 A at 50 °C  |
| Protection type                        | Short-circuit protection<br>Overload protection  |

|                         |  |
|-------------------------|--|
| <b>Pollution degree</b> | 3 conforming to IEC 60664-1<br>3 conforming to IEC 947-1 |
|-------------------------|--|

## Complementary

|                                   |                             |
|-----------------------------------|-----------------------------|
| <b>Control type</b>               | Toggle                      |
| <b>Mounting mode</b>              | Fixed                       |
| <b>Mounting support</b>           | Backplate                   |
| <b>Upside connection</b>          | Front                       |
| <b>Downside connection</b>        | Front                       |
| <b>Mechanical durability</b>      | 13000 cycles                |
| <b>Connection pitch</b>           | 25 mm                       |
| <b>Local signalling</b>           | Positive contact indication |
| <b>Neutral protection setting</b> | Without protection          |
| <b>Earth-leakage protection</b>   | Without                     |
| <b>Height</b>                     | 130 mm                      |
| <b>Width</b>                      | 75 mm                       |
| <b>Depth</b>                      | 60 mm                       |

## Environment

|  |   |
|--|---|
| <b>Standards</b>                             | JIS C8201-2-2<br>EN/IEC 60947-2<br>EN/IEC 60947-1<br>GB/T 14048.2 |
| <b>IP degree of protection</b>               | IP20 conforming to IEC 60529                                      |
| <b>IK degree of protection</b>               | IK07 conforming to IEC 62262                                      |
| <b>Ambient air temperature for operation</b> | -25...70 °C   |
| <b>Ambient air temperature for storage</b>   | -35...85 °C   |

## Packing Units

|                                     |          |
|-------------------------------------|----------|
| <b>Unit Type of Package 1</b>       | PCE      |
| <b>Number of Units in Package 1</b> | 1        |
| <b>Package 1 Height</b>             | 9.5 cm   |
| <b>Package 1 Width</b>              | 8.5 cm   |
| <b>Package 1 Length</b>             | 14.0 cm  |
| <b>Package 1 Weight</b>             | 810.0 g  |
| <b>Unit Type of Package 2</b>       | S02      |
| <b>Number of Units in Package 2</b> | 12       |
| <b>Package 2 Height</b>             | 15.0 cm  |
| <b>Package 2 Width</b>              | 30.0 cm  |
| <b>Package 2 Length</b>             | 40.0 cm  |
| <b>Package 2 Weight</b>             | 9.813 kg |
| <b>Unit Type of Package 3</b>       | P12      |
| <b>Number of Units in Package 3</b> | 384      |

---

|                  |        |
|------------------|--------|
| Package 3 Height | 75 cm  |
| Package 3 Width  | 120 cm |
| Package 3 Length | 80 cm  |
| Package 3 Weight | 326 kg |

---

## Contractual warranty

---

|                      |    |
|----------------------|----|
| Warranty (in months) | 18 |
|----------------------|----|



## Environmental Data

Schneider Electric aims to achieve Net Zero status by 2050 through supply chain partnerships, lower impact materials, and circularity via our ongoing “Use Better, Use Longer, Use Again” campaign to extend product lifetimes and recyclability.

[Environmental Data explained >](#)

[How we assess product sustainability >](#)



### Environmental footprint

|  |   |
|--|---|
| Total lifecycle Carbon footprint                       | 320 kg CO2 eq.                                |
| Carbon footprint of the manufacturing phase [A1 to A3] | 7 kg CO2 eq.                                  |
| Carbon footprint of the distribution phase [A4]        | 0.2 kg CO2 eq.                                |
| Carbon footprint of the installation phase [A5]        | 0.1 kg CO2 eq.                                |
| Carbon footprint of the use phase [B2, B3, B4, B6]     | 311 kg CO2 eq.                                |
| Carbon footprint of the end-of-life phase [C1 to C4]   | 1 kg CO2 eq.                                  |
| Environmental Disclosure                               | <a href="#">Product Environmental Profile</a> |

## Use Better



### Materials and Substances

|  |   |
|--|---|
| Packaging made with recycled cardboard | Yes   |
| Packaging without single use plastic   | No, we have minimized the use of plastic in the packaging in compliance with regulations and considering quality and safety standards |
| SCIP Number                            | 2958c627-310e-4ae4-a905-31a369b1aaa8  |
| EU RoHS Directive                      | <a href="#">Compliant</a>   |
| REACH Regulation                       | <a href="#">Reference contains Substances of Very High Concern above the threshold</a>  |

## Use Longer



### Lifetime extension

|        |    |
|--------|----|
| Repair | No |
|--------|----|

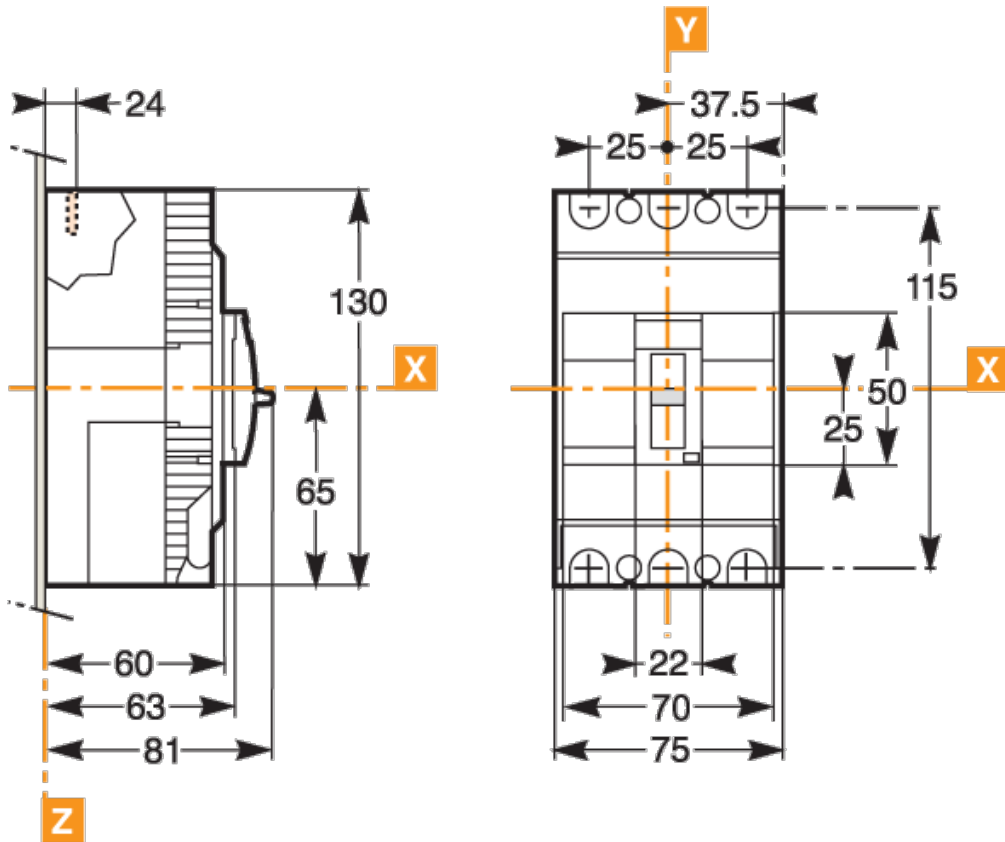
## Use Again



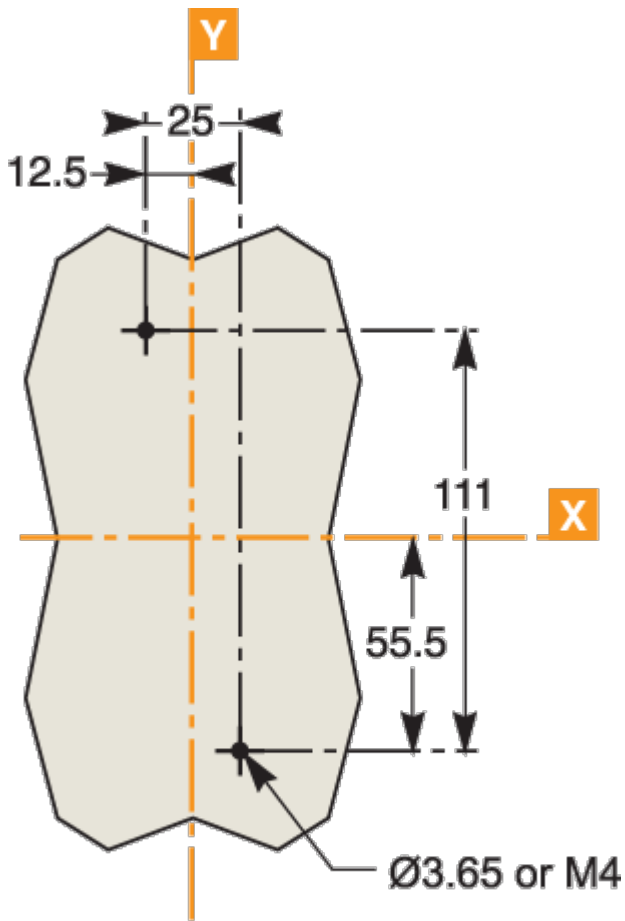
### Repack and remanufacture

|                                 |   |
|---------------------------------|---|
| Recyclability potential, in %   | 43  |
| End of life manual availability | No need of specific recycling operations  |
| Take-back                       | No  |
| WEEE Label                      |  The product must be disposed on European Union markets following specific waste collection and never end up in rubbish bins |

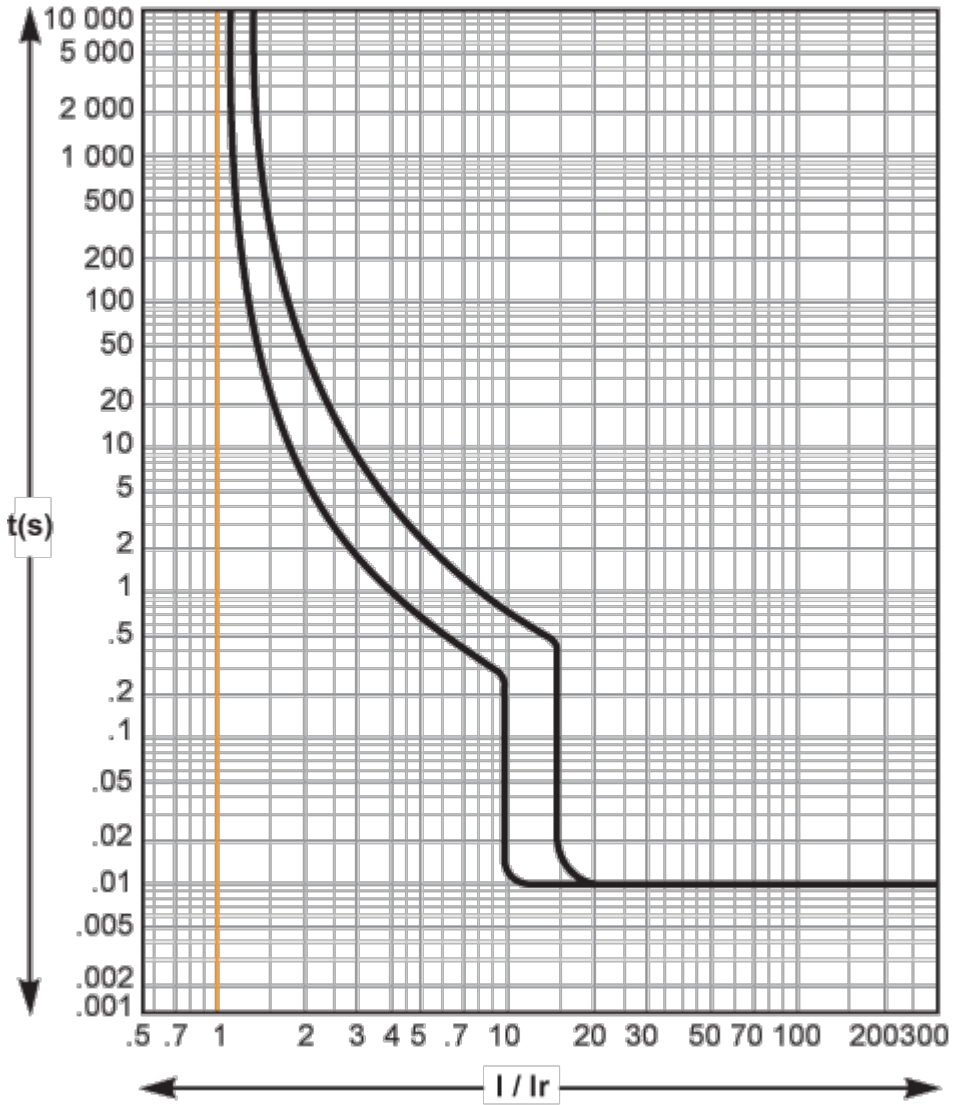
Dimensions Drawings



Assembly



Performance Curves



Offer Marketing Illustration

Product benefits / Features

---



**EasyPact EZC  
Range Accessories**

**Control Accessories**

- Direct rotary handle
- Extended rotary handle

**Electrical Auxiliaries**

- Indication contact
- Voltage releases

**Connection Accessories**

- Terminal extension
- Cable connectors
- Rear connectors

**Insulation Accessories**

- Terminal shield
- Interphase barriers

**Plug-in Accessories**

- [Four plug-in accessories]

Offer Marketing Illustration

Product benefits / Features

---

## EasyPact EZC

### Technical Benefits



- ideal for simple applications in smaller buildings
- Rated current from 15 to 630 A
- Breaking capacity up to 50 kA at 400/415 V.
- 1, 2, 3 and 4 pole versions and 3 frame sizes.
- Thermal-magnetic for the entire range.
- Built-in integrated earth-leakage protection (EZC 250 ELCB).
- Compliance with international standards: IEC 60947-1 and 2, CCC, EAC and other local certifications.

Offer Marketing Illustration

Product benefits / Features

---

## EasyPact EZC Moulded Case Circuit Breaker



A photograph of a Schneider EasyPact EZC Moulded Case Circuit Breaker. The device is a grey, rectangular unit with a central handle and several terminals on top and bottom. It is set against a green background that curves around the bottom left corner.

**Easy to choose**  
A wide range of auxiliaries, and accessories for effortless selection and complete customization.

**Effortless setup**  
Fixed front mounting, plug-in option, front connections, and interchangeable MCCB and ELCB for seamless adaptability.

**Easy to use**  
Positive contact indication for enhanced safety and reliability with compact case optimized for tight spaces.

Technical Illustration

Assembly's dimensions

---

