



Essential SmartBright LED Downlight

DN027B G3 LED20/NW 19W 220-240V D200 RD

Essential SmartBright LED Downlight, 19 W, 2100 lm, 4000 K, Beam angle 110°, White

Essential SmartBright G2 LED Downlight is value for money product with high efficacy, good quality and reliability. It offers multiple configurations from 300lm to 2000lm output, to replace conventional downlight. It can be used for shopping mall, retail store, residential and office. It's an ideal product family to distribute in trade market.

Product data

General Information		Luminaire light beam spread	
Light source replaceable	No	Luminaire light beam spread	110°
Number of gear units	1 unit	Operating and Electrical	
Driver included	Yes	Input Voltage	220 to 240 V
Lighting Technology	LED	Line Frequency	50 or 60 Hz
Value ladder	Value	Input Frequency	50 or 60 Hz
Warranty period	3 years	Inrush current	4.92 A
		Inrush time	0.115 ms
Light Technical		Power Consumption	19 W
Luminous Flux	2,100 lm	Power Factor (Fraction)	0.9
Correlated Color Temperature (Nom)	4000 K	Cable	Cable 0.2 m without plug
Luminous Efficacy (rated) (Nom)	110.00 lm/W	Number of products on MCB of 16 A type B	55
Color rendering index (CRI)	80	Suitable for random switching	No
Light source color	840 neutral white	Protection class IEC	Safety class II
Optic type	Beam angle 110°		

Essential SmartBright LED Downlight

Controls and Dimming

Dimmable	No
Driver/power unit/transformer	Power supply unit (On/Off)
Constant light output	No

Mechanical and Housing

Housing Material	Metal-Plastic
Reflector material	-
Optic material	Polycarbonate
Optical cover material	Polycarbonate
Fixation material	Steel
Housing Color	White
Optical cover finish	Matte
Overall length	225 mm
Overall width	225 mm
Overall height	45 mm
Overall diameter	225 mm
Dimensions (Height x Width x Depth)	45 x 225 x 225 mm
Ingress protection code	IP20/40 [Finger-protected;Wire-protected]
Mech. impact protection code	IK03 [0.3 J]
Net Weight (Piece)	0.365 kg

Approval and Application

Glow-wire test	Temperature 650 °C, duration 30 s
Flammability mark	For mounting on normally flammable surfaces

EU RoHS compliant	Yes
Ambient temperature range	-20 to +40 °C

Initial Performance (IEC Compliant)

Luminous flux tolerance	+/-10%
Initial chromaticity	(IEC4000K, 0.38, 0.38) < 5SDCM
Power consumption tolerance	+/-10%

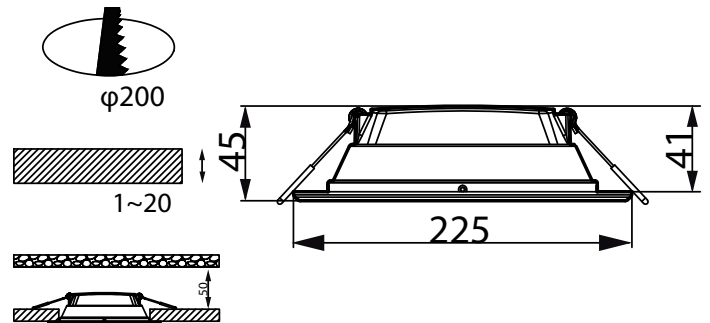
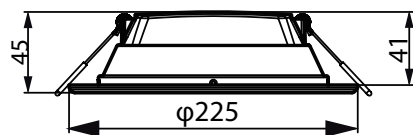
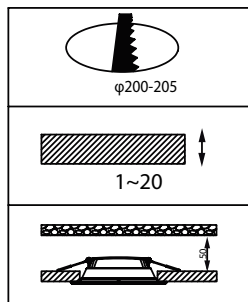
Over Time Performance (IEC Compliant)

Driver failure rate at 5000 h	0.012 %
Median useful life L70B50	30,000 hour(s)

Product Data

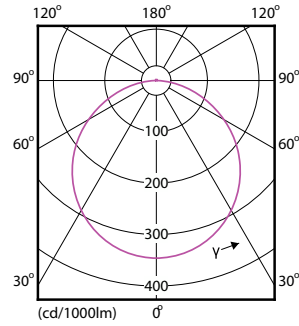
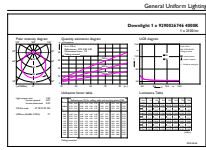
Order product name	DN027B G3 LED20/NW 19W 220-240V D200 RD
Full product name	DN027B G3 LED20/NW 19W 220-240V D200 RD
Full product code	871951434522500
Order code	929002674638
Material Nr. (12NC)	929002674638
Numerator - Quantity Per Pack	1
EAN/UPC - Product/Case	8719514345225
Numerator - Packs per outer box	24
EAN/UPC - Case	8719514345232

Dimensional drawing



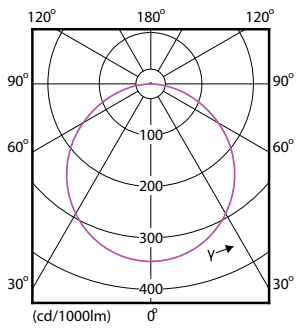
Essential SmartBright LED Downlight

Photometric data



General uniform lighting - DN027B G3 LED20/NW 19W 220-240V D200 RD

Light Distribution Diagram - DN027B G3 LED20/NW 19W 220-240V D200 RD



Light Distribution Diagram - DN027B G3 LED20/NW 19W 220-240V D200 RD

