



SmartBright Plus Panel

RC048B+ LED34S/840 PSU W30L120

SmartBright Plus Panel, 120 lm/W, 840 neutral white

The Philips SmartBright Plus panel (RC048B+) range features a selection of popular off-the-shelf LED luminaires that come with Philips high quality levels at a competitive price. Reliable, high energy efficient and affordable, this latest generation of SmartBright Plus LED panel lights are designed for diffuse, comfortable lighting in a wide range of general lighting applications. Our range of SmartBright Plus panel lighting is also available with accessories for easy installation on different types of ceilings – just what you need.

Product data

General Information		Operating and Electrical	
Number of gear units	1 unit	Luminaire light beam spread	120°
Gear	-	Input Voltage	220 to 240 V
Driver included	Yes	Line Frequency	50 or 60 Hz
Light source engine type	LED	Inrush current	16 A
Light Technical		Inrush time	0.2 ms
Luminous Flux	3,400 lm	Power Consumption	28 W
Luminous Efficacy (rated) (Nom)	120 lm/W	Power Factor (Fraction)	0.9
Correlated Color Temperature (Nom)	4000 K	Connection	Push-in connector 2-pole
Color rendering index (CRI)	80	Cable	-
Beam angle of light source	120 degree(s)	Number of products on MCB of 16 A type B	19
Light source color	840 neutral white		
Optic type	Beam angle 120°		
Optical cover type	Opal		

SmartBright Plus Panel

Temperature	
Ambient temperature range	-10 to +35 °C
Controls and Dimming	
Dimmable	No
Control interface	-
Mechanical and Housing	
Housing Material	Steel
Reflector material	Acrylate
Optic material	Polystyrene
Optical cover material	Acrylate
Housing Color	White RAL 9003
Mounting device	-
Optical cover finish	Opal
Overall length	1,195 mm
Overall width	295 mm
Overall height	59 mm
Effective projected area	0.353 m ²
Dimensions (Height x Width x Depth)	59 x 295 x 1195 mm
Approval and Application	
Ingress protection code	IP20 [Finger-protected]
Mech. impact protection code	IK02 [0.2 J standard]
Protection class IEC	Safety class II
Glow-wire test	Temperature 650 °C, duration 30 s
Flammability mark	For mounting on normally flammable surfaces
CE mark	CE mark
ENEC mark	-

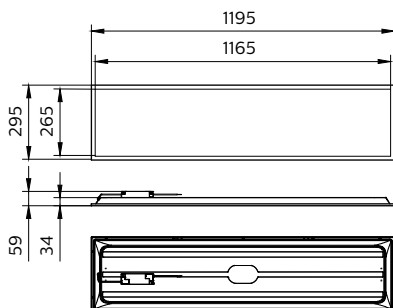
Warranty period	3 years
Photobiological risk	Photobiological risk group 0 @ 200mm to EN62471
Photobiological risk specification	0.2 m
EU RoHS compliant	Yes

Initial Performance (IEC Compliant)	
Luminous flux tolerance	-10% / +10%
Initial chromaticity	(0.38, 0.38) SDCM≤5
Power consumption tolerance	+/-10%

Application Conditions	
Performance ambient temperature Tq	25 °C
Maximum dim level	Not applicable
Suitable for random switching	Yes

Product Data	
Order product name	RC048B+ LED34S/840 PSU W30L120
Full product name	RC048B+ LED34S/840 PSU W30L120
Full product code	872016951214699
Order code	911401847085
Material Nr. (12NC)	911401847085
Numerator - Quantity Per Pack	1
Net Weight (Piece)	1.490 kg
EAN/UPC - Product/Case	8720169512146
Numerator - Packs per outer box	6
EAN/UPC - Case	8720169512146

Dimensional drawing



SmartBright Plus Panel

