

LED Signal Light

LS-P



Protection degree IP56

Materials

- Body : Polycarbonate
- Globe : Polycarbonate

Finish

- Body : Polycarbonate (Mat black)
- Globe : Polycarbonate (Clear / Red / Green / Blue)

Light Source

- LED Bulb : 9 W

Electrical

- AC 220 ~ 240 V, 50/60 Hz
- Ambient Temperature : -20 °C ~ 45 °C

Option

- AC 100 ~ 120 V

Warranty Period

- 5 years



LS09-23PBCRP



LS09-23PBCGP



LS09-23PBCBP



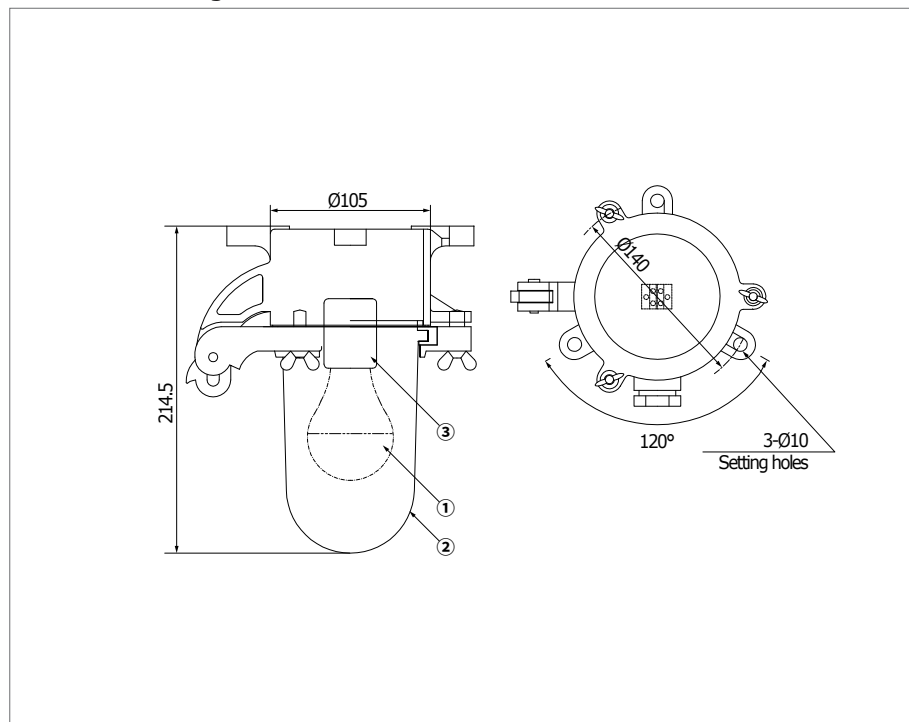
Specification

Model No.	Capacity	L(mm)	W(mm)	H(mm)	Weight(kg)	Remarks
LS09-20PBCWP	9 W	105	105	214.5	1.3	White
LS09-20PBCRP	9 W	105	105	214.5	1.3	Red
LS09-20PBCGP	9 W	105	105	214.5	1.3	Green
LS09-20PBCBP	9 W	105	105	214.5	1.4	Blue



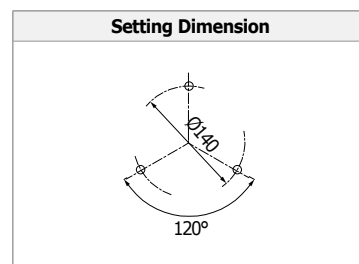
LS09-20PBCRP / LS09-23PBCWP / LS09-20PBCGP

Technical Drawing



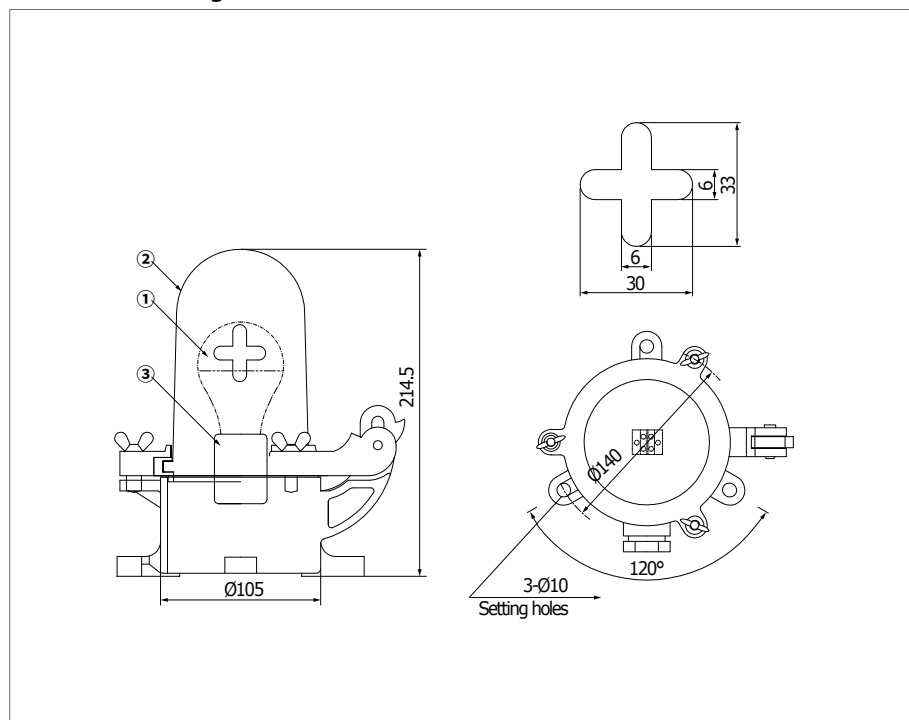
Part List

No	Part Name	Part Number
1	LED Bulb	22872343
	Globe, Clear	64607275
2	Globe, Red	64607276
	Globe, Green	64607277
3	Lamp Holder	15100056



LS09-20PBCB

Technical Drawing



Part List

No	Part Name	Part Number
1	LED Bulb	22872373
2	Globe, Blue	64607446
3	Lamp Holder	15100056

