

Oval LED Bulkhead ILED-BH-O280 18W Specification

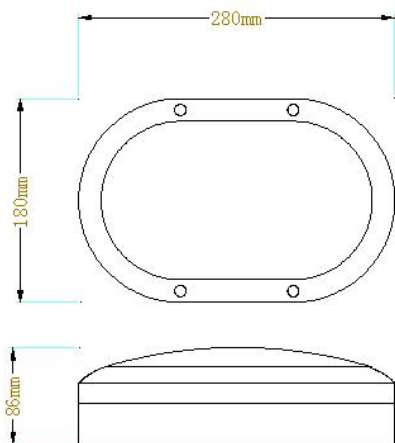


1. Features:

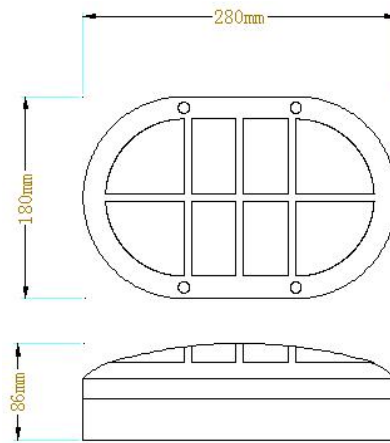
- Use high quality LM80 SMD LEDs as lighting source
- Use high quality driver in all models and suitable for wall and ceiling mounting.
- The color of Aluminum base is available for white or black.
- The diffuser is made by a high grade of Polycarbonate with High Transmittance.
- IP65 can be moistureproof.
- Luminous Efficiency > 100LM/W
- **Working with integral micro-wave sensor is available.**

2. Characteristics

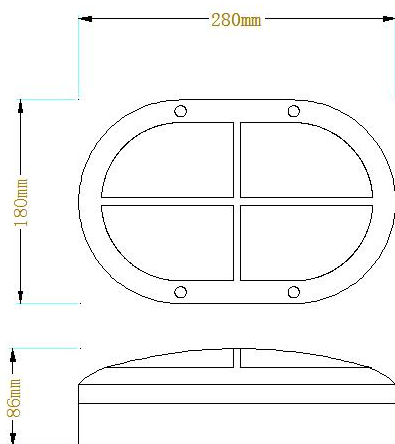
Item	ILED-BH-O280
Input	110-240V or 100-277V AC50/60Hz
Power	18W
LEDs	LM80 SMD LEDs
Lumens	1800LM
Efficiency	100LM/W
Power Factor	>0.9
Rated Volt.	110-240V or 100-277V AC50/60Hz
Size	280x180x86mm
Color Temp.	Warm White:2800-3300K; Commercial White:4000-4500K; Cool White:6000-6500K
CRI	>80
Beam Angle	115°
IP Rating	IP65, IK10
Materials	Aluminum PCB, Aluminum Base, PC Diffuser
Working Temp.	-40°C - 60°C



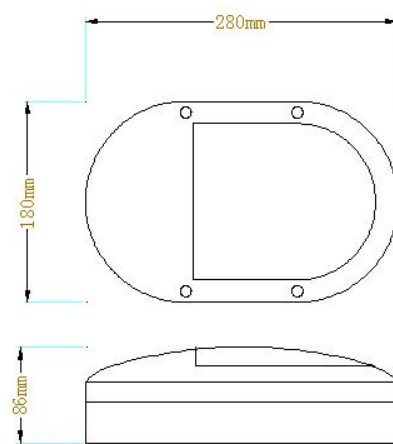
ILED-BH-O280



ILED-BH-O280-GL



ILED-BH-O280-TL



ILED-BH-O280-HF

3. Application

- Bathroom
- Outside corridor
- Shopping Center
- Hotel
- Stair, etc.

