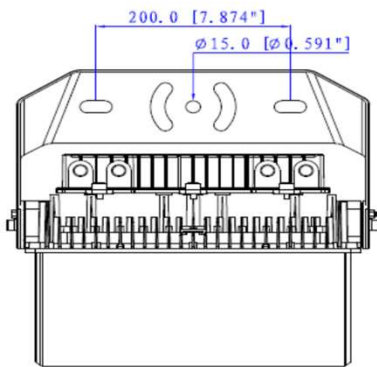
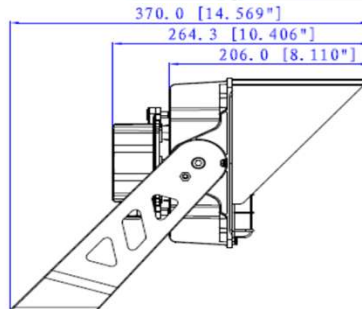
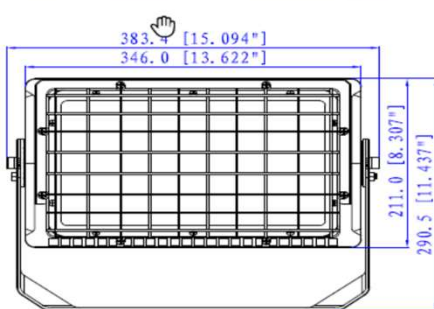


Products Specification

REFERENCE:		CODE /	
LOCATION:		SYMBOL:	



OSRAM

Digital Systems

Specifications

Model: GL-HO-FL 200
 Description: LED Flood Light
 Mounting: Frame Mounting
 Housing: Aluminum
 Color: Black

LED: Osram LEDs
 CCT: 4000 / 6500
 Wattage: 200
 Lumens (lm): 29000lm
 CRI (>Ra): >80
 Lifespan (Hrs): >50,000

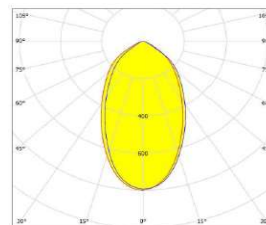
SDCM: 5
 Beam Angle: 30°x30°/60°x60°/100°x100°/customised on request
 Efficacy (Lm/W): Up till 160

Driver: OSRAM IP Rated LED Driver
 Dimmable: DALI / 1-10v (Optional)
 Power Factor: >0.90

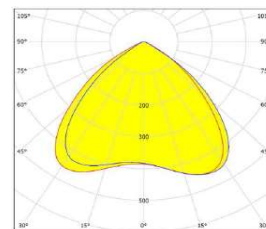
IP Rating: IP 65
 IK Rating: IK08
 Certification: CE / CB

Photometrics / LED Data

60° x 60°



100° x 100°



For Consultant / Architect / Client

Comments:
 Approved by:
 Contact:
 Date: