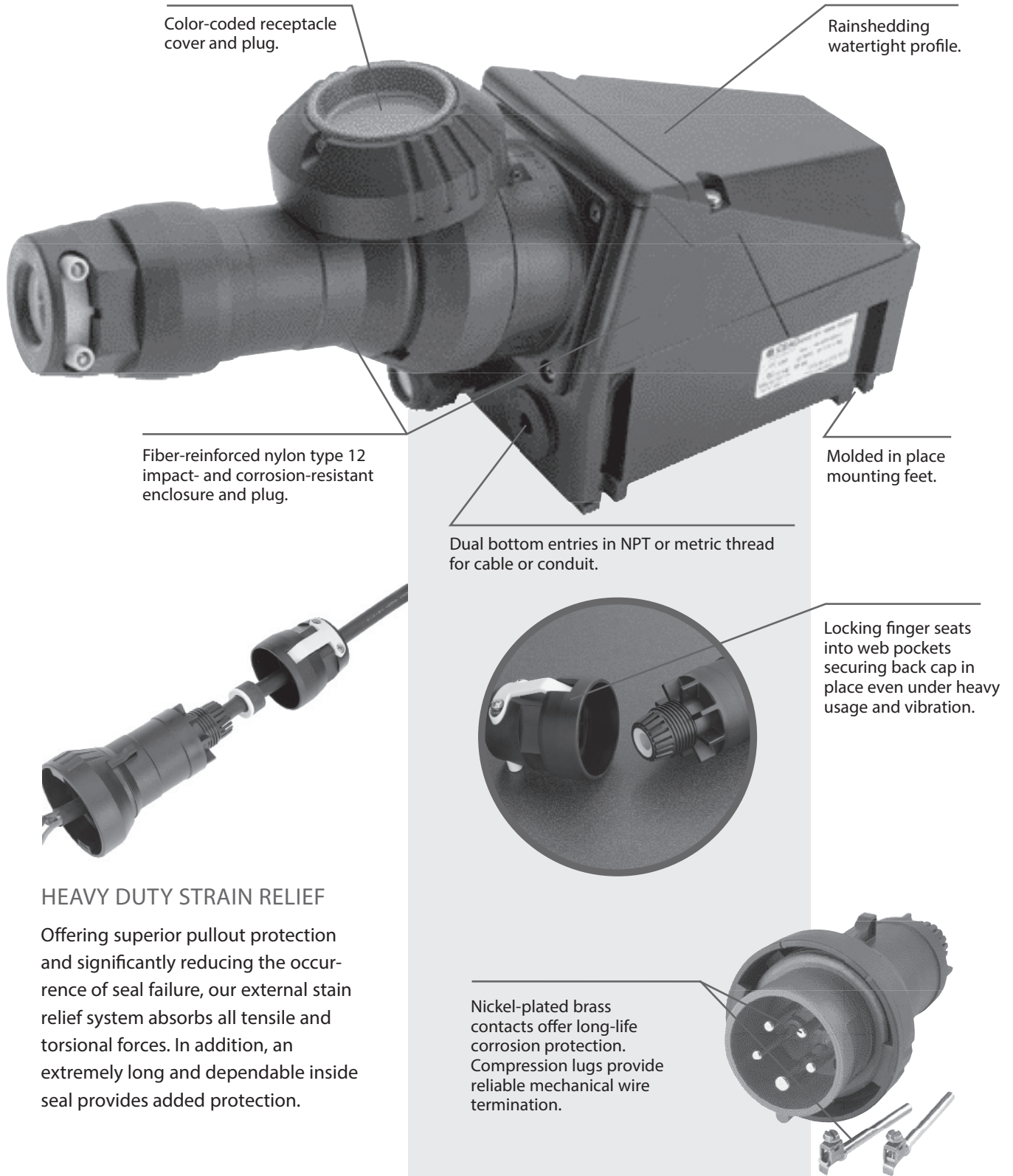


IEC 60309 plugs and interlocks

Cl. I, Zone 1 & 2, Div. 2
Cl. II, Div. 1 & 2, Groups E, F, G
GOST-R
NEMA 4X; IP66

5P

Hazardous heavy duty



Color-coded receptacle cover and plug.

Rainshedding watertight profile.

Fiber-reinforced nylon type 12 impact- and corrosion-resistant enclosure and plug.

Molded in place mounting feet.

Dual bottom entries in NPT or metric thread for cable or conduit.

Locking finger seats into web pockets securing back cap in place even under heavy usage and vibration.

HEAVY DUTY STRAIN RELIEF

Offering superior pullout protection and significantly reducing the occurrence of seal failure, our external strain relief system absorbs all tensile and torsional forces. In addition, an extremely long and dependable inside seal provides added protection.

Nickel-plated brass contacts offer long-life corrosion protection. Compression lugs provide reliable mechanical wire termination.

Hazardous heavy duty

Applications:

- Where hazardous gases may be present
- In areas prone to dust, dirt, vibration, hard use and abuse
- In locations where complete protection against water jets and even temporary flooding is required
- In corrosive environments caused by chemicals, atmospheres and water
- Ideal for heavy duty industrial applications, such as chemical plants, mining, drilling, steel/grain/flour mills, pharmaceuticals, portable power

Features:

- Mechanically interlocked plug and receptacle – plug cannot be engaged or disengaged under load
- Simple “insert plug and twist” design to activate internal switch
- Self-cleaning multi-lam contacts provide reliable power connection
- Compact size, easy to handle and install
- OSHA lockout/tagout
- Dual bottom entry Zone 1 Myers™ hubs
- Full wiring access, saves time and money
- VØ rated materials

Certifications and compliances:

NEC versions (IEC 60309 Series 2) – 20A, 30A, 60A, 100A devices:

- Certificate of Compliance: CSA 2080082 (20A and 30A); CSA 2089057 (60A and 100A)
- Marking accd. to NEC 500: Class I, Division 2, Group A, B, C, D; Class II, Division 1, Group E, F, G
- Marking accd. to NEC 505/CEC 18: Class I, Zone 1, AEx ed IIC T6 / Ex ed IIC T6
- IP66

Standard materials:

- Enclosure – Type 12 nylon
- Plug body – fiber-reinforced nylon
- Hardware – stainless steel
- Contacts – brass

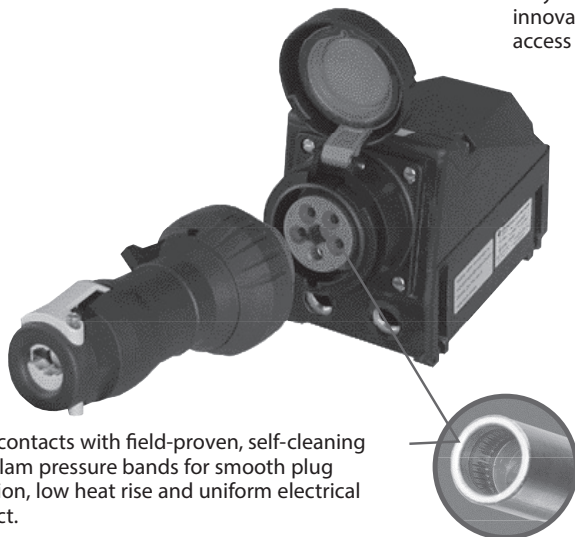
Options:

- | | |
|--|---------------|
| Description | Suffix |
| • Auxiliary contacts for PLC or pilot light applications | S483 |

IEC versions – 16A, 32A, 63A, 125A devices:

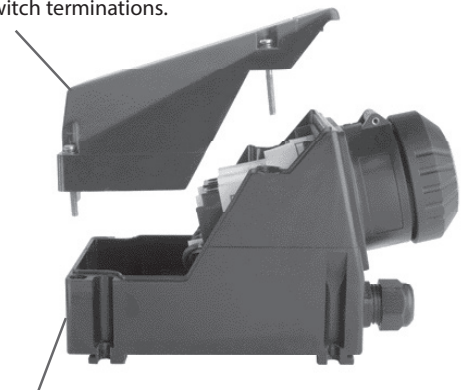
		16A	32A	63A	125A
Marking accd. to 2014/34/EU	Wall socket, plug, coupler:	II 2G / Ex db eb [ia] IIC / IIB+H ₂ / IIB T6 Gb II 2D / Ex tb IIIC T80°C Db	II 2G / Ex db eb IIC / IIB T5 Gb II 2 D / Ex tb IIIC T80°C Db	II 2G / Ex db eb [ia Ga] IIC/IIB T5 Gb II 2D / Ex tb IIIC T80°C Db	IIG / Ex de IIC T6 IID / Ex tD A21 IP66 T80°C
	Flange socket:	II 2G / Ex db eb IIC / IIB+H ₂ / IIB Gb II 2D / Ex tb IIIC Db	II 2G / Ex db eb IIC / IIB Gb II 2 D Ex tb IIIC Db		
EC-Type Examination Certificate	Wall socket, plug, coupler:	BVS 17 ATEX E 053 X	BVS 21 ATEX E 001 X	BVS 17 ATEX E 073 X	PTB 01 ATEX 1069
	Flange socket:	BVS 15 ATEX E 101 U	BVS 20 ATEX E 090 U		
IECEX Certificate of Conformity	Wall socket, plug, coupler:	IECEX BVS 17.0045X	IECEX BVS 21.0002 X	IECEX BVS17.0062X	IECEX BK1 04.0005
	Flange socket:	IECEX BVS 15.0088U	IECEX BVS 20.0072 U		
Marking accd. to IECEX	All devices:	Ex db eb [ia] IIC / IIB+H ₂ / IIB T6 Gb Ex tb IIIC T80°C Db	Ex db eb IIC/IIB T5 Gb Ex tb IIIC T80°C Db	Ex db eb [ia Ga] IIC/IIB T5 Gb Ex tb IIIC T80°C Db	Ex ed IIC T6
EAC (TR)	All devices:	1EX d e [ia] IIC/IIB T6 Gb X Ex tb IIIC T80°C Db X	1EX d e [ia] IIC/IIB T6 Gb X Ex tb IIIC T80°C Db X	1EX d e [ia] IIC/IIB T6 Gb X Ex tb IIIC T80°C Db X	1EX d e [ia] IIC/IIB T6 Gb X Ex tb IIIC T80°C Db X
Degree of protection accd. to EN 60529	All devices:	IP66	IP66	IP66	IP66

- CE
- EAC



Brass contacts with field-proven, self-cleaning multi-lam pressure bands for smooth plug insertion, low heat rise and uniform electrical contact.

Easy to wire. Cover removes along an innovative break line that permits full access to internal switch terminations.



Factory sealed switch provides Zone 1 & 2, Div. 2 explosion protection. Receptacle is dead-front until plug is fully engaged and rotated to activate switch. Plug cannot be removed under load. Switch is horsepower, and AIC-rated.

Hazardous heavy duty

Ordering information:

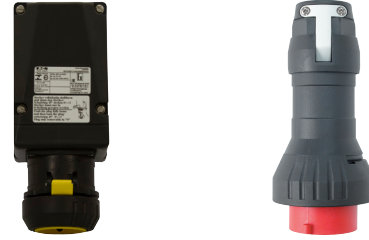


Amperage	Cable gland	Myers hub	Wires and poles	Configuration		Voltage	Cat. # Interlock receptacle	Cat. # Plug
				Receptacle / connector	Plug / inlet			
16	M20		2W, 3P			110-120	GHG 511 4304 R3001	GHG 511 7304 R0001
	M20		2W, 3P			220-240	GHG 511 4306 R3001	GHG 511 7306 R0001
	M25		3W, 4P			220-240	GHG 511 4409 R3001	GHG 511 7409 R0001
	M25		3W, 4P			380-415	GHG 511 4406 R3001	GHG 511 7406 R0001
	M25		3W, 4P			500	GHG 511 4407 R3001	GHG 511 7407 R0001
	M25		3W, 4P			690	GHG 511 4405 R3001	GHG 511 7405 R0001
	M25		4W, 5P			380-415	GHG 511 4506 R3001	GHG 511 7506 R0001
20		1/2"	2W, 3P			125	GHG 511 4304 L3001	GHG 511 7304 L0001
		1/2"	2W, 3P			250	GHG 511 4306 L3001	GHG 511 7306 L0001
		3/4"	3W, 4P			3Ø 250	GHG 511 4409 L3001	GHG 511 7409 L0001
		3/4"	3W, 4P			3Ø 480	GHG 511 4407 L3001	GHG 511 7407 L0001
		3/4"	3W, 4P			3Ø 600	GHG 511 4405 L3001	GHG 511 7405 L0001
30		1"	3W, 4P			3Ø 250	GHG 512 4409 L3001	GHG 512 7409 L0001
		1"	3W, 4P			3Ø 480	GHG 512 4407 L3001	GHG 512 7407 L0001
		1"	3W, 4P			3Ø 600	GHG 512 4405 L3001	GHG 512 7405 L0001
32	M32		3W, 4P			220-240	GHG 512 4409 R3001	GHG 512 7409 R0001
	M32		3W, 4P			380-415	GHG 512 4406 R3001	GHG 512 7406 R0001
	M32		3W, 4P			500	GHG 512 4407 R3001	GHG 512 7407 R0001
	M32		3W, 4P			690	GHG 512 4405 R3001	GHG 512 7405 R0001
	M32		4W, 5P			380-415	GHG 512 4506 R3001	GHG 512 7506 R0001
60		1 1/4"	3W, 4P			3Ø 250	GHG 514 4409 L3001	GHG 514 7409 L0001
		1 1/4"	3W, 4P			3Ø 480	GHG 514 4407 L3001	GHG 514 7407 L0001
		1 1/4"	3W, 4P			3Ø 600	GHG 514 4405 L3001	GHG 514 7405 L0001



Hazardous heavy duty

Ordering information (continued):



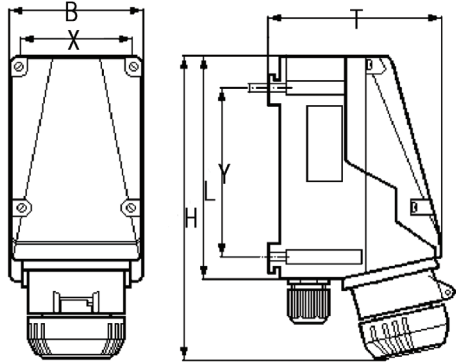
Amperage	Cable gland	Myers hub	Wires and poles	Configuration		Voltage	Cat. # Interlock receptacle	Cat. # Plug
				Receptacle / connector	Plug / inlet			
63	M40		3W, 4P			220-240	GHG 514 4409 R3001	GHG 514 7409 R0001
	M40		3W, 4P			380-415	GHG 514 4406 R3001	GHG 514 7406 R0001
	M40		3W, 4P			500	GHG 514 4407 R3001	GHG 514 7407 R0001
	M40		3W, 4P			690	GHG 514 4405 R3001	GHG 514 7405 R0001
	M40		4W, 5P			380-415	GHG 514 4506 R3001	GHG 514 7506 R0001
100		1 1/2"	3W, 4P			125/250	GHG 515 4412 L3001	GHG 515 7412 L0001
		1 1/2"	3W, 4P			3Ø 250	GHG 515 4409 L3001	GHG 515 7409 L0001
		1 1/2"	3W, 4P			3Ø 480	GHG 515 4407 L3001	GHG 515 7407 L0001
		1 1/2"	3W, 4P			3Ø 600	GHG 515 4405 L3001	GHG 515 7405 L0001
		1 1/2"	4W, 5P			230-400	GHG 515 4506 L3001	GHG 515 7506 L0001
125	M63		3W, 4P			220-240	GHG 515 4409 R3001	GHG 515 7409 R0001
	M63		3W, 4P			380-415	GHG 515 4406 R3001	GHG 515 7406 R0001
	M63		3W, 4P			500	GHG 515 4407 R3001	GHG 515 7407 R0001
	M63		3W, 4P			690	GHG 515 4405 R3001	GHG 515 7405 R0001
	M63		4W, 5P			380-415	GHG 515 4506 R3001	GHG 515 7506 R0001

5P

Hazardous heavy duty

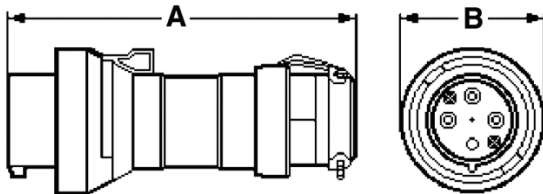
Dimensions:

Interlock receptacles



	16 / 20A		30 / 32A		60 / 63A
	3P	4P / 5P	4P / 5P	4P / 5P	100 / 125A
B	3.50	4.30	4.70	7.90	8.90
X	3.15	3.94	4.33	7.09	8.10
T	4.80	5.80	6.60	8.90	10.00
Y	4.53	5.31	6.70	10.87	11.90
L	6.10	6.90	8.10	14.60	13.30
H	8.80	9.30	11.50	18.70	21.10

Plugs



	16 / 20A			30 / 32A		60 / 63A
	3P	4P	5P	4P / 5P	4P / 5P	100 / 125A
A	6.70	7.40	7.40	9.80	10.70	12.32
B	2.80	3.00	3.30	3.90	4.30	5.16
Cord dia. range		0.515 - 0.827"		0.515 - 1.102"	0.630 - 1.378"	0.827 - 2.280"

Additional products:

10A and 20A multi-pin interlock receptacle and plugs are available – please contact factory for ordering information.



16A and 32A flange receptacles and connectors are available – please contact factory for ordering information.

