

EUP75D-1H24V-0

Summary

EUP75D-1H24V-0 is a constant voltage mode output LED driver and complies with DALI standard protocol IEC 62386. This driver can be connected to DALI main controller or Touch DIM to achieve a smooth dimming effect.

Product Features

- Single channel constant voltage output, 3.1A Max
- Meet DALI protocol IEC 62386
- Support Touch DIM function
- High input voltage of 220VAC ~ 240VAC
- Dimming effect smooth, no flicker
- Over load ; short circuit, Over voltage protection
- IP20, suitable for indoor LED lighting application



Application



Wall Washer



LED Strip Light



LED Tube



Underground Light



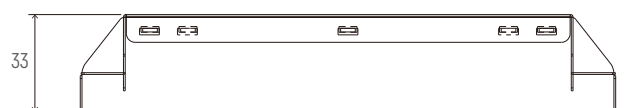
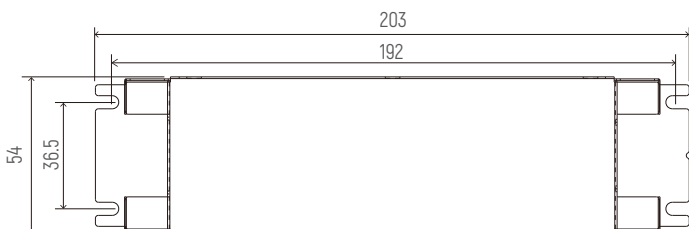
AR111 Venture Light



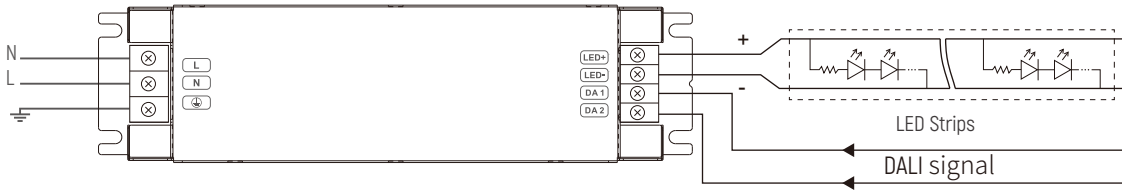
Technical Parameters

Model	EUP75D-1H24V-0		
Input	Efficiency	90%@230VAC, Full load	
	Voltage	200VAC-240VAC	
	Frequency Range(Hz)	50/60Hz	
	Power Factor	>0.5@230VAC, Full load	
	Current	0.9Amax@230VAC	
	Inrush Current(max)	Cold start, 45A@230VAC	
Output	Current(A)/Voltage (VDC) Power(W)	3.1A/24VDC/74.4W	
	R & N (Max)	200mVp-p	
	Channel	1	
	Current Tolerance	±3%	
	Turn on delay Time	<1.5s, at 230Vac (When the light begins to shine)	
Function	Dimming Type	DALI Dimming / Touch-dim	
	Protection	Over voltage	Hiccup, recovers after fault condition is removed
		Over load	Hiccup, recovers after fault condition is removed
Short Circuit		Hiccup, recovers after fault condition is removed	
Others	Working Temp.	-20°C ~ 50°C	
	Storage Temp., Humidity	-40°C ~ 85°C, 20-90%RH	
	tc	90°C	
	Material	Metal	
	IP Rating	IP20	
	Lifetime	30,000h@tc:80°C	
	Warranty Condition	3 years	
	Switch Cycle	>15,000 times	
	Packing(weight)	Net weight: 415g±5%/PCS; 30PCS/ Carton; 13.5kg±5%/Carton; Carton Size: 382*222*215mm(L*W*H)	
Dimension	203*54*33mm (L*W*H)		

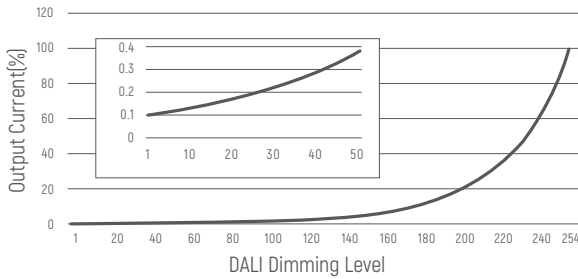
Dimension(mm)



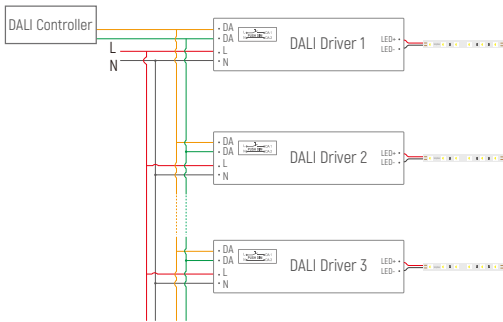
DALI Wiring



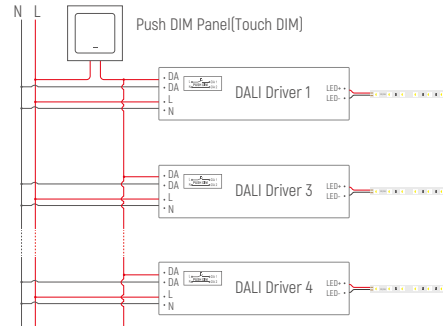
Dimming Curve



DALI Diagram



Push DIM(Touch DIM) Diagram



Remark: Only use open push button without indicator light. Maximum cable length between each Unit: 20 meters.

Push DIM Function

1. Press the Push DIM (Touch DIM) switch for 8s or more, the driver can be controlled via Push DIM switch.
2. Short press the Push DIM (Touch DIM) switch (<0.5s) to control the lamp on or off.
3. Long press the Push DIM (Touch DIM) switch (>0.5s) to dim the brightness of light. The dimming direction will change every time after pressing switch.
4. Double-click the Push DIM (Touch DIM) switch (<0.3s), then all lamps connected on the device will be set maximum brightness.
5. The brightness adjustment range is 1%-100%, and the light can be turned off through short pressing when doing the adjustment with long pressing Push DIM (Touch DIM) switch.
6. With the Power off memory function, the power-down state will be recovered when power on again.

Cautions

1. This product should be installed by qualified personnel.
2. This product is non waterproof, need to avoid sun and rain. In case of outdoor use, please ensure it is mounted in a water proof enclosure.
3. Good heat dissipation conditions extend product life. Please install the product in a well-ventilated environment.
4. Please make sure LED power supply output voltage, current is used to meet the product requirements.
5. Please ensure that adequate sized cable is used from the controller to the LED lights to carry the current. Please also ensure that the cable is secured tightly in the connector.
6. Due to safety concerns, PVC or rubber cord of 0.75- 2.5mm² is recommended for input and output terminal(s)(excluding signal terminals). Flat power cord is not suitable. Ensure all wire connections and polarities are correct before applying power to avoid any damages to the LED lights.
7. In case of malfunction, do not repair it yourself.

※ The contents of this manual are updated without prior notice. If the function of the product you are using is inconsistent with the instructions, the function of the product shall prevail. Please contact us if you have any questions.

EUP75D-1H24V-0

概述

EUP75D-1H24V-0是一款可以用于室内的恒压输出LED调光驱动器。符合DALI标准协议 IEC62386。这款驱动器可以通过连接DALI主控或Touch DIM可以实现平滑调光的效果。

产品特点

- 单通道恒压输出，最大输出电流为3.1A
- 遵循DALI协议标准 IEC62386
- 支持Touch DIM功能
- 高电压输入：220VAC~240VAC
- 过载保护，过压保护，短路保护
- 调光曲线平滑，无闪烁
- IP20，适用于室内LED灯具



应用



洗墙灯



LED灯带



LED硬灯条



地埋灯



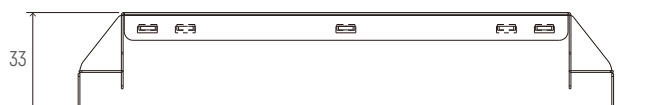
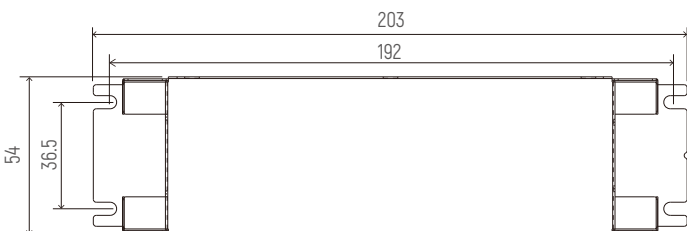
AR111射灯



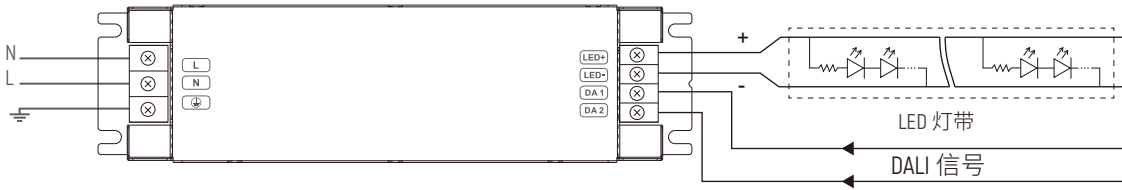
技术参数

型号	EUP75D-1H24V-0		
输入	效率	90%@230VAC, 满载	
	电压	200VAC-240VAC	
	频率	50/60Hz	
	功率因素	>0.5@230VAC, 满载	
	电流	0.9Amax@230VAC	
	浪涌电流	冷启动,45A@230VAC	
输出	电流/电压/功率	3.1A/24VDC/75W	
	波纹	200mVp-p	
	通道	1	
	电流公差	±3%	
	启动延时	<1.5s, at230Vac (当光线开始闪烁时)	
功能	调光方式: DALI 调光 / Touch-dim		
保护	短路	打嗝, 去除故障后自恢复	
	过压	打嗝, 去除故障后自恢复	
	过载	打嗝, 去除故障后自恢复	
其它	工作温度	-20°C~50°C	
	储存温度、湿度	-40°C~85°C, 20-90%RH	
	tc	90°C	
	材质	金属	
	防水等级	IP20	
	寿命	30,000小时@tc:80°C	
	质保	3年	
	开关周期	>15,000次	
	包装尺寸(重量)	净重: 415g±5%/PCS; 30PCS/Carton; 13.5kg±5%/箱; 外箱尺寸: 382*222*215mm[长*宽*高]	
	尺寸	203*54*33mm (长*宽*高)	

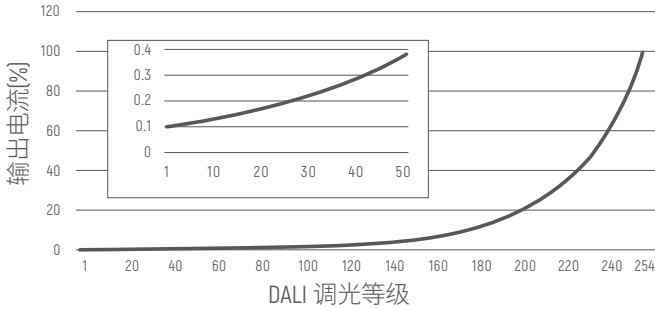
尺寸(mm)



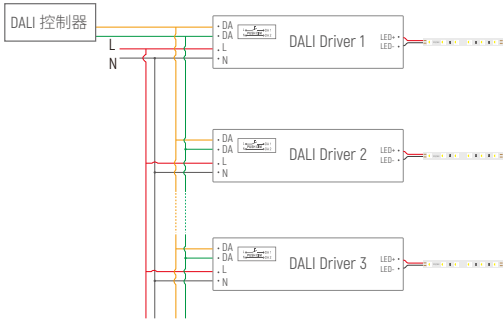
接线图



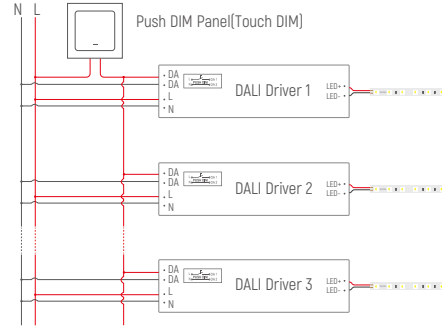
调光曲线



DALI应用图



Push DIM (Touch DIM)应用图



备注: 只能使用开路的按压式开关(不带指示灯). 采用同步连线时每个设备和设备之间的线长不超过20米.

Push DIM 功能

1. 长按Push DIM (Touch DIM)开关8s, 进入Push DIM (Touch DIM)模式。
2. 短按Push DIM (Touch DIM)开关 (<0.5秒) 进行灯的亮暗控制。
3. 长按Push DIM (Touch DIM)开关 (>0.5秒) 进行灯具的亮度调节, 光是调亮还是调暗, 随着每次按压的开关变化而变换。
4. 双击Push DIM (Touch DIM)开关 (<0.3秒), 连接的所有灯具将达到最亮状态。
5. 亮度调节范围为1%-100%。
6. 具有断电记忆功能, 重新上电将恢复到上一次断电的状态。

注意事项:

- 1、本产品请由具有专业资格的人员进行调试安装。
- 2、本产品不能防水, 需避免日晒雨淋, 如安装在户外, 请用防水箱。
- 3、良好的散热条件会延长产品的使用寿命, 请把产品安装在通风良好的环境。
- 4、请检查使用的LED电源输出电压电流, 是否符合产品要求。
- 5、出于安全考虑, 推荐输入和输出(信号端除外)用0.75-2.5mm² PVC或橡胶线缆, 并确保接线牢固, 以免电线过热或接触不良触发事故。扁平电源线不适用。
- 6、通电调试前, 应确保所有接线正确, 以避免因接线错误而导致灯具损坏。
- 7、如果发生故障, 请勿私自维修; 如果有疑问, 请联系供应商。

※ 本说明书内容如有更新, 恕不另行通知。若您使用的产品功能与说明书不一致时, 请以产品为准。如有疑问请与我们联系。