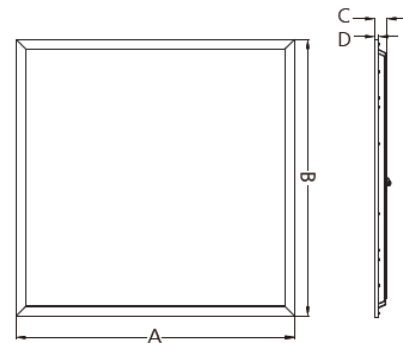
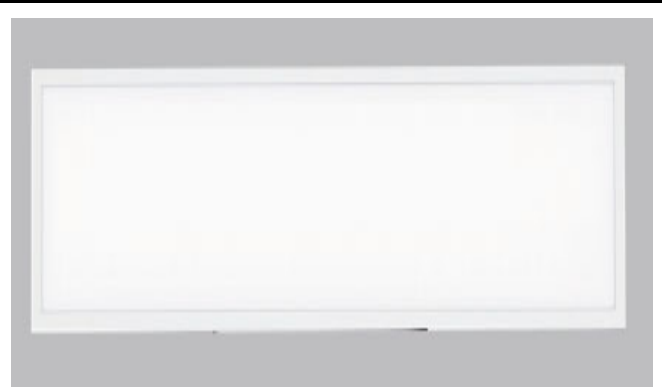


PRODUCT SPECIFICATION

PROJECT LIGHTING PROPOSAL	LOCATION	LUMINAIRE REFERENCE
PRODUCT DESCRIPTION		
40W Ultra slim LED panel with Anti -glare design-UGR <19-150LPW with BUILT OUT driver		

TECHNICAL DATA

BRAND / MODEL	ELAP PANEL PL60120-40W-3K5 UGR19
HOUSING MATERIAL	ALUMINIUM
DIFFUSER MATERIAL	Prismatic Diffuser (UGR19 ANTI GLARE)
LAMP TYPE	SMD 2835 LED
LAMP WATTAGE	40W
LOSSES	Included or Tolerance +10% Max
INPUT VOLTAGE / HZ	220V-240V / 50Hz/60Hz
POWER FACTOR	>0.9
LUMEN	6000lm
EFFICACY	150lm/w
COLOR TEMPERATURE	3CCT Adjustable
COLOR RENDERING INDEX	CRI >Ra80
BEAM ANGLE	90 Degree
LIFE SPAN	50,000 hrs @ LM80
INGRESS PROTECTION RATING	IP 20
IMPACT PROTECTION RATING	IK 02
CUT-OUT (CEILING OPENING)	A 595 x B 1195 mm x C 25mm x D 9mm
COUNTRY OF ORIGIN	SINGAPORE
MANUFACTURE	CHINA
WORKING TEMPERATURE	20°C ~ +40°C
HOUSING COLOR	WHITE FRAME
WEIGHT	18.6 KG
CERTIFICATIONS	EN 55015, EN 61547, EN 61000-3-2, EN/IEC 61000-4-2,3,4,5,6,8,11



Optional Accessory

