

## DESCRIPTION

The CE Series offers quality and value with a compact and attractive LED based emergency exit. The white or black housing is made of high impact UL flame rated thermoplastic. Snap together canopy, housing and removable chevrons for quick and easy installation. Universal single or double-face. Remote capacity option will run 4 CIR/COR Series single remote lamp-heads or 2 double CIR/COR remotes.

## APPLICATION

The CE Series can be applied in stair-wells, hallways, offices and other commercial applications.

## COMPLIANCES

UL924 Listed for Damp Location  
 NFPA 101 and NFPA 70  
 OSHA

## WARRANTY

2 year full unit warranty



## FEATURES

- LED life-cycle of more than 10 years
- Molded-in template for Quick installation
- Dual-voltage 120 or 277V AC input
- Includes long-life Nickel Cadmium battery for UL recognized 90 minute emergency lighting
- Remote capacity or extended runtime option
- Damp Location Listed
- Provided with test switch and AC-On indicator
- Canopy included

## ENERGY CONSUMPTION

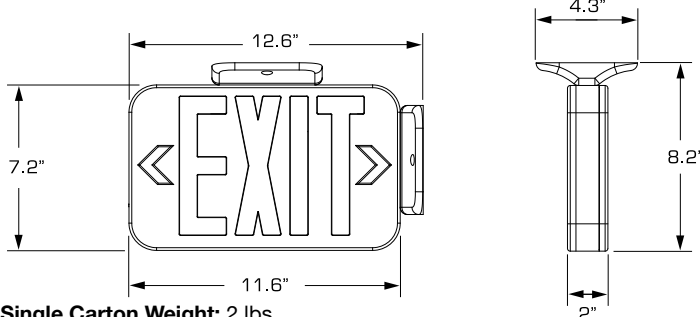
	120 VAC	277 VAC
<b>CER</b>	1.78 W	1.88 W
<b>CEG</b>	1.49 W	1.57 W
<b>CERRC</b>	3.60 W	4.14 W
<b>CEGRC</b>	3.28 W	3.81 W

## ORDERING GUIDE

Catalog Number	Description
<b>CER</b>	White Thermoplastic Exit, Universal Face, Red LED Emergency Exit
<b>CERB</b>	Black Thermoplastic Exit, Universal Face, Red LED Emergency Exit
<b>CEG</b>	White Thermoplastic Exit, Universal Face, Green LED Emergency Exit
<b>CEGB</b>	Black Thermoplastic Exit, Universal Face, Green LED Emergency Exit
<b>CERRC</b>	White Thermoplastic Exit, Universal Face, Red LED Emergency Exit, Remote Capacity
<b>CERRCB</b>	Black Thermoplastic Exit, Universal Face, Red LED Emergency Exit, Remote Capacity
<b>CEGRC</b>	White Thermoplastic Exit, Universal Face, Green LED Emergency Exit, Remote Capacity

**Note: Remote Capacity Exit will only power the Compass Indoor and Outdoor Remote (CIR and COR Series)**

## DIMENSIONS



**Single Carton Weight:** 2 lbs.  
**Master Carton Quantity:** 6 each

## ACCESSORIES

WGLX Wireguard - 10" H X 14" W X 2¼" D  
 CIR Series - Matching LED Indoor Remote Heads  
 COR Series - Matching LED Outdoor Remote Heads

