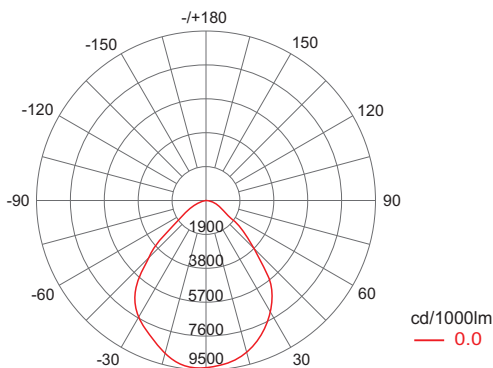




Ex marking: Ex db eb IIC T6 or T5 or T4 Gb
Ex tb IIIC T80°C or T95°C or T130°C Db



Light distribution curve



Application

This product is widely used for work lighting in dangerous places such as petroleum exploration, oil refining, chemical industry, and electric power;
Applicable to places with high humidity and corrosion protection;
Applicable to explosive gas or dust environment in Zone 1, Zone 2 or Zone 21, Zone 22;
Suitable for IIA, IIB, IIC explosive gas environment;
Suitable for temperature group T1~T6/ T5 group;
Applicable ambient temperature is -40°C~40°C/55°C.

Characteristics

- The radiator adopts fin structure design, which can be suitable for high temperature and high humidity working environment for a long time;
- A variety of installation methods and the same shape can effectively solve the problem of aesthetic appearance in the same area;
- The lamp adopts international brand light source, no color spots, dark areas, ghosting, etc., the whole light efficiency is as high as 120lm/W, which is more than 60% energy-saving compared with the metal halide lamp;
- The power supply adopts first-line brands such as Meanwell and Inventronics, and its reliability and life span rank first in the industry;
- The protection level reaches IP66, which can effectively resist heavy rain;

Main Specification

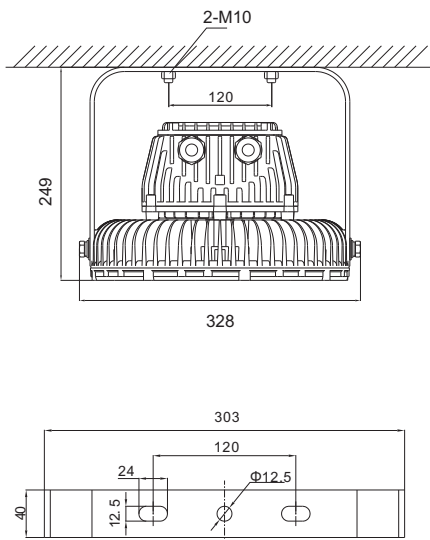
Item	Technical Parameters
Input voltage	90~305VAC
Rated frequency	50Hz / 60Hz
Rated wattage	80~150W
Light source	LED
Life time	100,000hrs
CRI (Ra)	70 (80 optional)
CCT	5000K (3000K/ 4000K optional)
Leading-in cable diameter	Φ 8mm~ Φ 12mm (G3/4", M25, NPT3/4")
	Φ 6mm~ Φ 10mm (G1/2, M20, NPT1/2") (attached with reducer union)
Net weight	8.8Kg
Size	328X302X249mm

Ordering reference

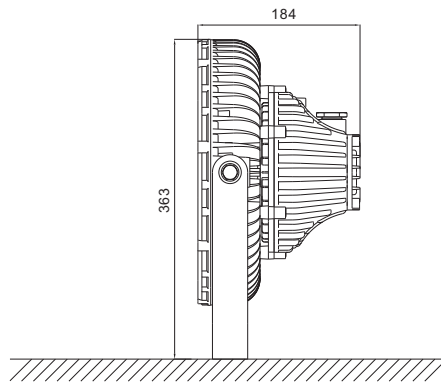
Model number	Rated wattage (W)	Light output (lm)	Space height ratio	Mounting height(m)	Replace to
					Metal halide lamp
BC9304S-L80	80	8873	1.4	8~12m	175W
BC9304S-L100	100	12675			250W
BC9304S-L120	120	14803		10~15m	>250W
BC9304S-L150	150	18675		10~15m	400W

Drawing of dimension (Dimensions in mm)

Ceiling mounted



Seat mounted



Side wall mounted

