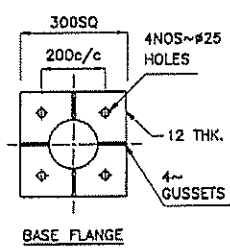
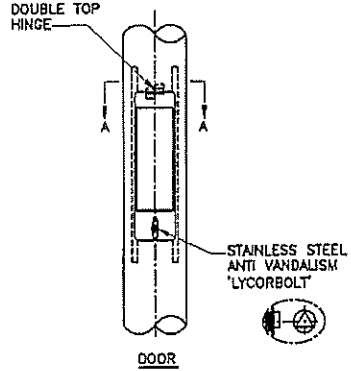
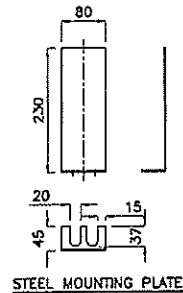
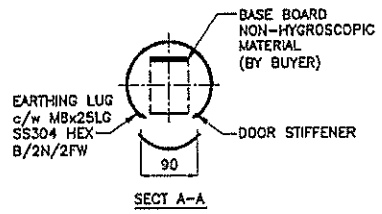
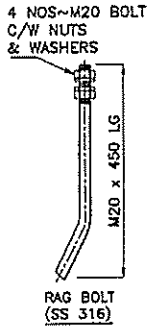


NOMINAL MOUNTING HEIGHT 8m

TECHNICAL SPECIFICATION

- 1) DESIGN CONDITIONS
 - 1.1 FUNDAMENTAL WIND SPEED
 - 35 m/s (BS 5840) 3-SEC GUST
 - (THE EQUIVALENT HARMONIZED EURO CODE 1 10-MINUTE MEAN WIND SPEED = 20.8 m/s)
 - 1.2 UNIT LUMINAIRE WEIGHT
 - 12 kg
 - 1.3 UNIT LUMINAIRE AREA
 - 0.12m²
- 2) STANDARDS
 - 2.1 POLE DESIGN
 - BS EN 40-3-1 (w/EC1 EXPOSURE
 - CO-EFFICIENT C_o(Z)) & OS EN 40-3-3 EN 12767 CLASS 0
 - BS EN 40-2
 - 2.2 MATERIAL
 - I) POLE: BS EN 10255:2004
 - II) BASE FLANGE: BS EN 10025 S275JR
 - BS EN 1011-2
 - 2.3 WELDING (ELECTRIC ARC WELDING)
 - 2.4 GALVANIZING
 - BS EN ISO 1461 / BS 729
 - DIMENSIONAL VERIFICATION, GALVANIZING THICKNESS, MATERIAL STRENGTH & THICKNESS
- 3) TESTING PROCEDURES
- 4) QUALITY CONTROL PROCEDURES
 - THE SUPPLIER / MANUFACTURER AND GALVANIZER SHALL BE ISO 9001:2015 ACCREDITED



CUSTOMER APPROVED DRAWING FOR MANUFACTURE

(Co.stamp, sign & date)

PROJECT: HOUSING DEVELOPMENT BOARD		
DRAWN: SITI	DATE: 26.06.23	SCALE: NTS
CHECKED:		
DWG. NO: LCP-SWP-SG-71		
TITLE: 8m LIGHTING COLUMN C/W 2.0M SINGLE BRACKET ARM		