

AVIVO

FM General Range

6FM22

12V22Ah/C₂₀



AVIVO FM

range is the most common standard and the first generation delicate product which is designed with AGM(Absorbent Glass Mat) technology, high performance plates and electrolyte. The definition of FM is coming from General purpose. Therefore, this range product has possessed various applications for common power backup system.

Applications

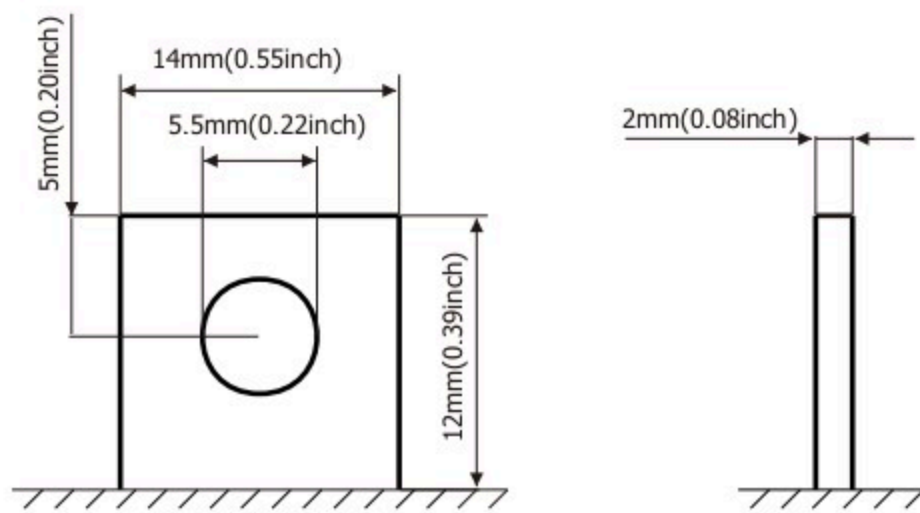
Alarm System	Medical Equipment
Cable Television	UPS
Communication Equipment	Power Tool
Control Equipment	Emergency Power System
Security System	Stand-by Electric Power Control System
Emergency Lighting System	

General Features

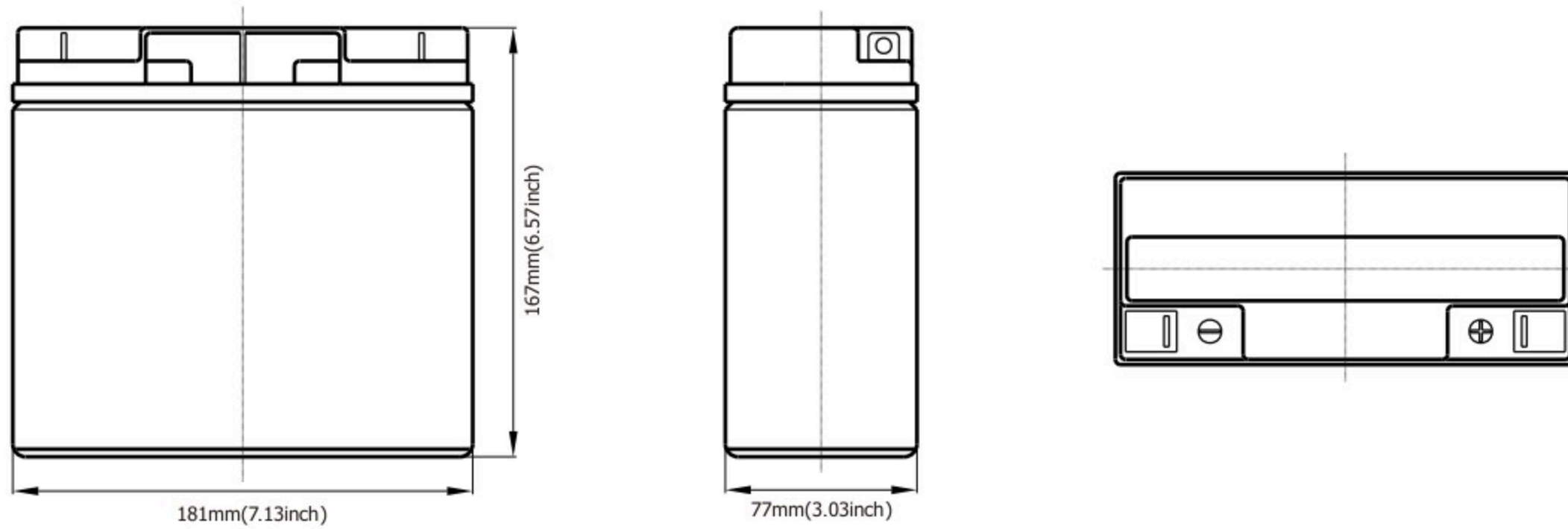
Sealed and maintenance free operation.
 Non-Spillable construction design.
 ABS containers and covers(UL94HB, UL94V-0) optional.
 Safety valve installation for explosion proof.
 High quality and high reliability.
 Exceptional deep discharge recovery performance.
 Low self discharge characteristic.
 Flexibility design for multiple install positions.

Construction

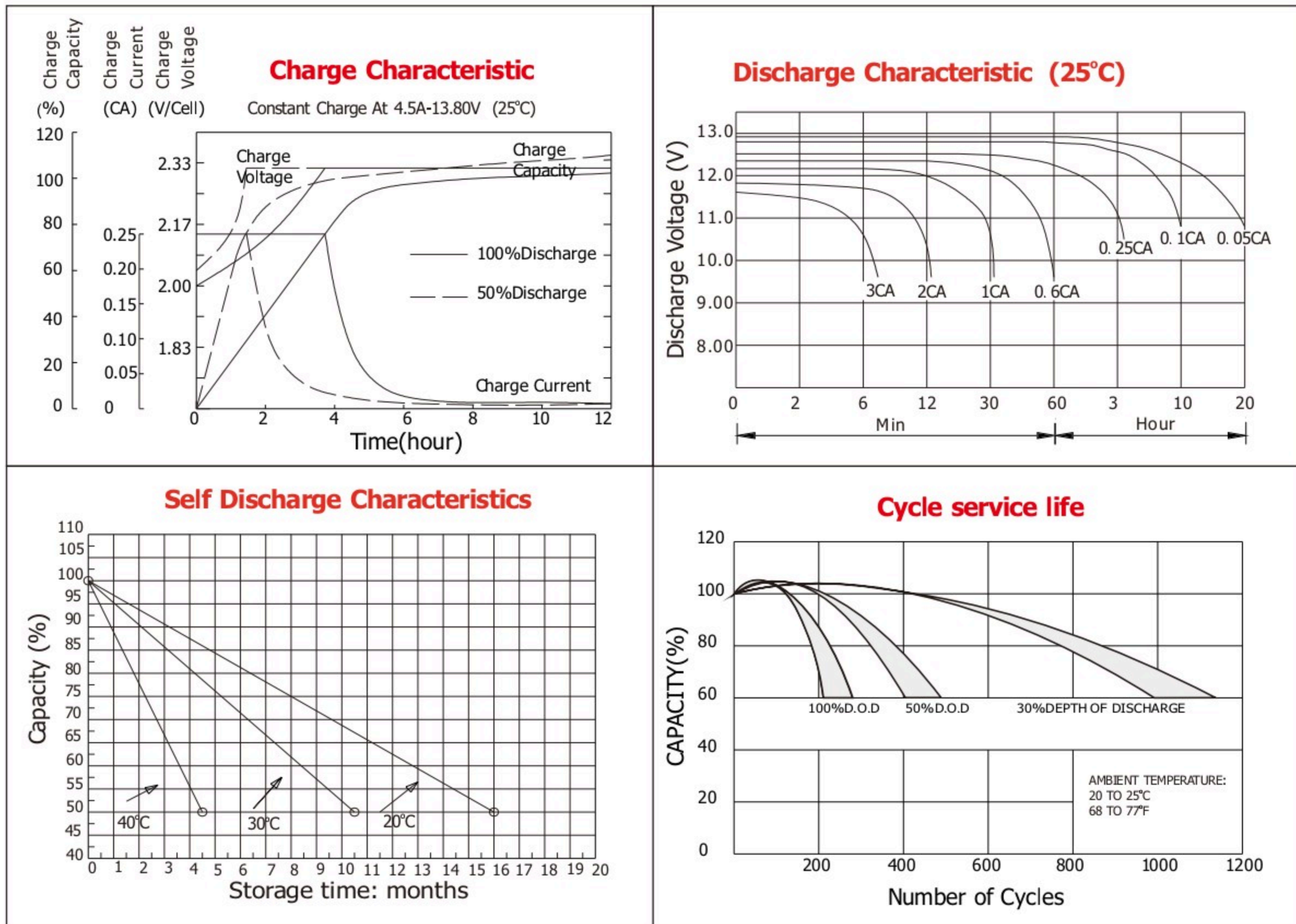
ComponentRaw material	SealantEpoxy Resin
PositiveLead dioxide	Safety valveEPDR
NegativeLead	TerminalCopper
ContainerABS	SeparatorFiber glass
Cover	ABS	Electrolyte	Sulfuric acid



Standard Terminal Dimensions
 (Optional terminal please check terminal information page)



Battery Model	6FM18			
Designed Floating Life	5 Years			
Capacity(25°C)	20HR(0.9A,1.75V)	10HR(1.7A,1.75V)	5HR(3A,1.75V)	1HR(12A,1.75V)
	22Ah	20Ah	18Ah	15Ah
Dimensions	Length	Width	Height	Total Height
	181mm(7.13inch)	77mm(3.03inch)	167mm(6.57inch)	167mm(6.57inch)
Approx. Weight	5.9Kg (12.98 lbs)			
Internal Resistance	Full charged at 25°C: 0.016 Ohm			
Self Discharge	3% of capacity declined per month at (25°C)			
Capacity Affected by Temp.(20HR)	40°C	25°C	0°C	-15°C
	102%	100%	85%	65%
Charge Voltage(25°C)	Cycle use		Float use	
	14.4-15V(-30mV/ °C), max. Current: 5.4A		13.6-13.8V(-20mV/ °C)	



Constant current discharge ratings-amperes at 25°C

F.V/Time	5MIN	10MIN	15MIN	20MIN	30MIN	1HR	3HR	5HR	10HR	20HR
1.60V	68.8	42.8	32.3	28.1	19.7	12.51	5.49	3.36	1.88	0.98
1.67V	64.5	40.6	31.1	27.0	18.8	12.35	5.28	3.29	1.86	0.95
1.70V	59.1	39.2	30.4	26.0	17.2	11.97	4.93	3.21	1.85	0.94
1.75V	57.9	37.8	29.3	25.0	16.3	11.41	4.77	3.14	1.83	0.91
1.80V	51.9	36.2	26.7	22.8	15.1	10.68	4.58	2.96	1.80	0.89
1.85V	45.8	34.5	23.9	20.6	13.9	9.94	4.41	2.77	1.77	0.87

Constant power discharge ratings-watts at 25°C

F.V/Time	5MIN	10MIN	15MIN	20MIN	30MIN	1HR	3HR	5HR	10HR	20HR
1.60V	120.6	77.3	59.0	51.3	35.5	22.59	9.74	5.68	3.75	1.97
1.67V	116.5	75.2	58.2	50.5	34.8	22.44	9.43	5.65	3.73	1.91
1.70V	109.6	74.5	57.6	49.3	32.6	22.00	9.01	5.57	3.71	1.88
1.75V	110.3	74.4	57.2	48.7	31.5	21.71	8.80	5.53	3.67	1.83
1.80V	100.9	73.2	53.1	45.4	30.1	20.39	8.54	5.35	3.61	1.79
1.85V	91.5	69.5	48.1	41.4	28.2	19.21	8.29	5.18	3.56	1.72