

EVF Series



6-EVF-40 12V40Ah

EVF series battery uses latest AGM technology with longer cycle life. It is suitable for large current and deep cyclic applications. It can be used in e-vehicles, sightseeing, golf and logistics cars.



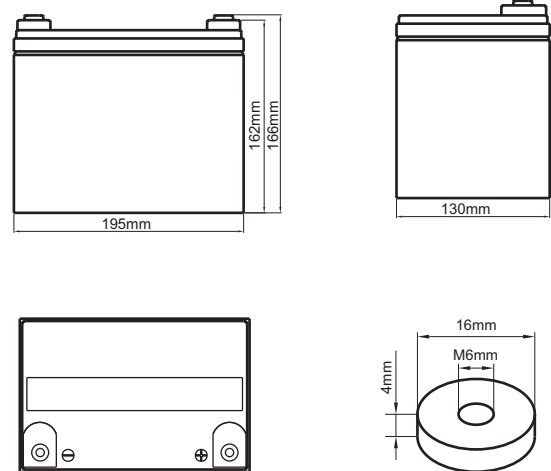
Benefits

- Up to 700 cycles 80% DOD
- Good large current discharge performance
- High gas recombination efficiency
- Maximum charge efficiency
- Low self-discharge rate
- Easy installation and handling

Applications

- Electrical Vehicle
- Mixture Electrical vehicle

Drawing



Standards



Specifications

Battery Model	6-EVF-40			
Design Life (80% DOD)	700 cycles			
Capacity (Ah, 25°C)	20HR (2.0A, 1.75V)	10HR (3.58A, 1.75V)	3HR (10A, 1.75V)	1HR(23A, 1.6V)
	40	35.8	30	23
Dimensions (mm)	Length	Width	Height	Total Height
	195	130	162	166
Approx. Weight (kg)	10.0			
Reference Internal Resistance (m)	8.5 (full charged @ 25°C)			
Maximum Discharge Current (A/10 Sec.)	300			
Self-Discharge (25°C)	≤3% per month			
Charge Voltage (V/cell, 25°C)	Cycle use		Float use	
	2.45 (-3mV/°C/cell), max charge current: 7.0A		2.35 (-3mV/°C/cell)	

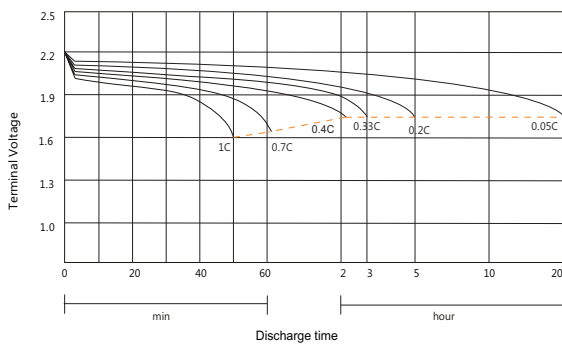


Discharge Date

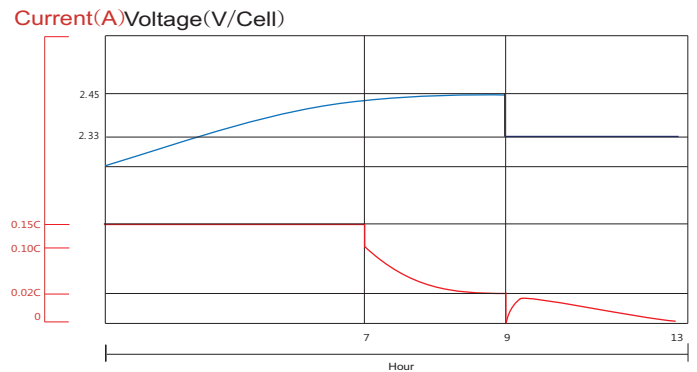
Constant Current Discharge Data (25°C, A)									
F/V Time	5min	10min	15min	30min	1h	3h	5h	10h	20h
1.60 V	90	63	54	34	23	10.4	6.36	3.71	2.06
1.65 V	80	58	51	32	23	10.3	6.28	3.66	2.04
1.70 V	72	53	48	31	22	10.2	6.22	3.62	2.02
1.75 V	62	49	45	30	22	10.0	6.13	3.58	2.00
1.80 V	55	45	42	29	21	9.8	6.05	3.50	1.99
1.85 V	47	40	38	27	20	9.4	5.85	3.38	1.88

Constant Power Discharge Data (25°C, W/cell)									
F/V Time	5min	10min	15min	30min	1h	3h	5h	10h	20h
1.60 V	158	113	99	62	43	19.8	12.1	7.2	4.1
1.65 V	143	105	94	60	42	19.6	12.0	7.1	4.1
1.70 V	129	97	89	59	42	19.5	12.0	7.1	4.0
1.75 V	114	91	84	57	41	19.4	11.9	7.0	4.0
1.80 V	104	84	79	55	40	19.1	11.9	7.0	3.9
1.85 V	89	76	73	53	39	18.4	11.6	6.7	3.8

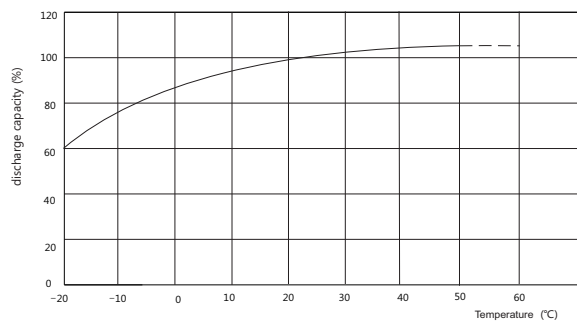
Performance curve



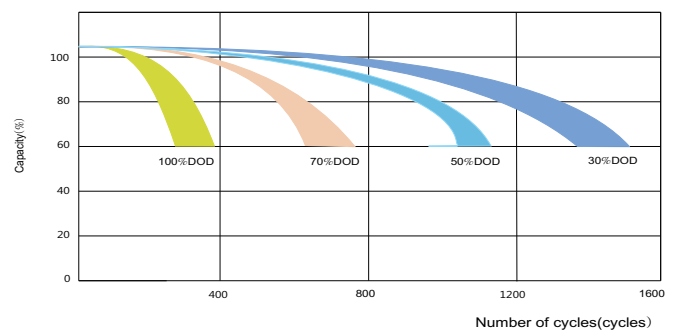
Discharging performance



Charge performance



Discharge capacity vs. temperature



Cycles vs. discharge depth