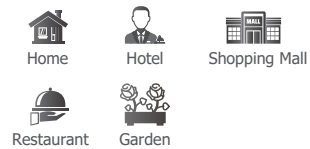




### Benefits

- Enhance efficacy, beam control and excellent optics by Hybrid Reflector Technology
- Designed for outdoor applications - IP65 rated
- Flicker-free ensures optimal visual comfort

### Application

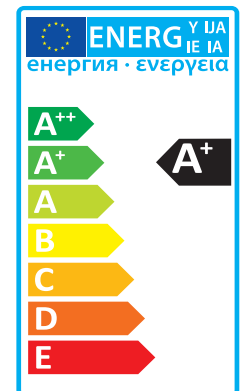


Model	Item Description	W	PF	lm	lm/W	CRI	Beam	Temp	Life	Single Box (LxWxH)mm	Outer Box (LxWxH)mm	Packing Qty (PCS/CTN)
LR227070-WF-E27	PAR20 7W E27 3000K 38D IP65	7	0.6	850	121	>80	38°	30000		65*65*95	345*345*210	50
LR228110-WF-E27	PAR30L 11W E27 3000K 38D IP65	11	0.6	1400	127	>80	38°	30000		100*100*111	428*324*246	24
LR229160-WF-E27	PAR38 16W E27 3000K 38D IP65	16	0.6	2000	125	>80	38°	30000		120*120*140	530*399*311	24

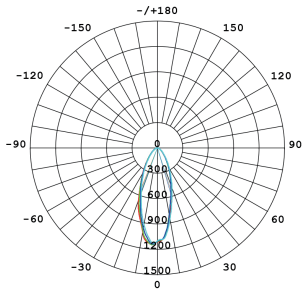
Application Conditions	
IP	IP65
Operating Temperature	-20~45°C
Application Temperature	25°C
Storage Environment	-25~50°C

Mechanical Properties	
Optical Material	PC
Housing Material	Nylon plastic (PA)
Finishing Colour	White

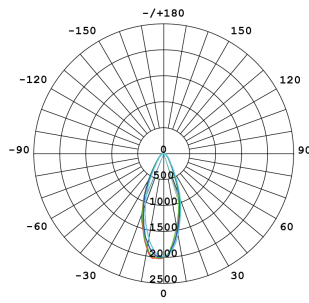
Electrical Supply	
Frequency (Hz)	50/60
Voltage (V)	220-240
AC/DC	AC



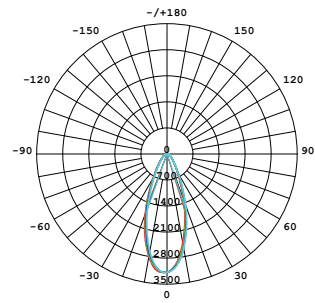
## Photometric Data



LR227070-WF-E27

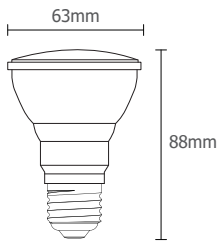


LR228110-WF-E27

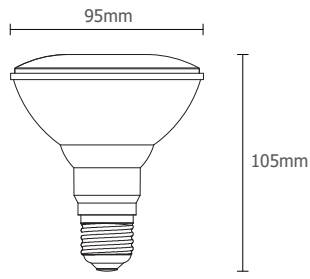


LR229160-WF-E27

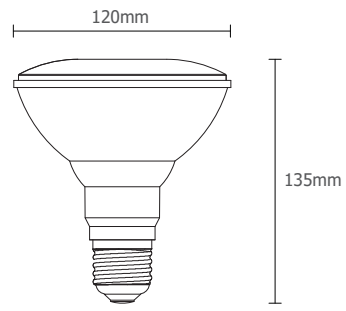
## Dimensional Drawing



LR227070-WF-E27



LR228110-WF-E27



LR229160-WF-E27