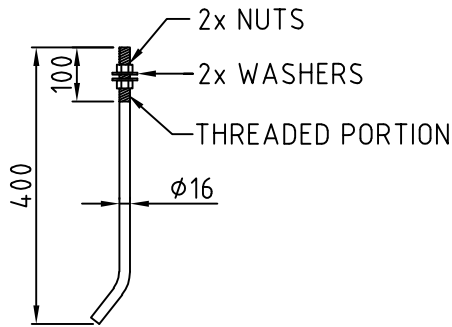
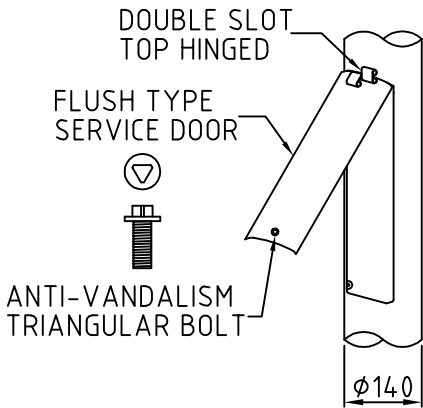


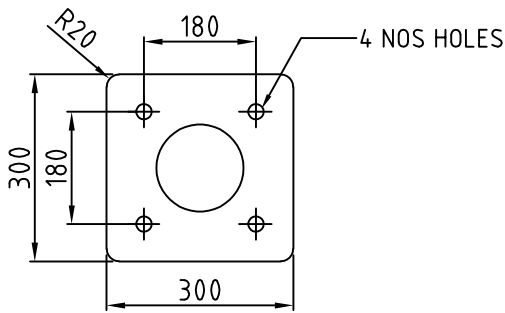
# 4.5 METER LIGHTING COLUMN C/W 1M SINGLE ARM BRACKET



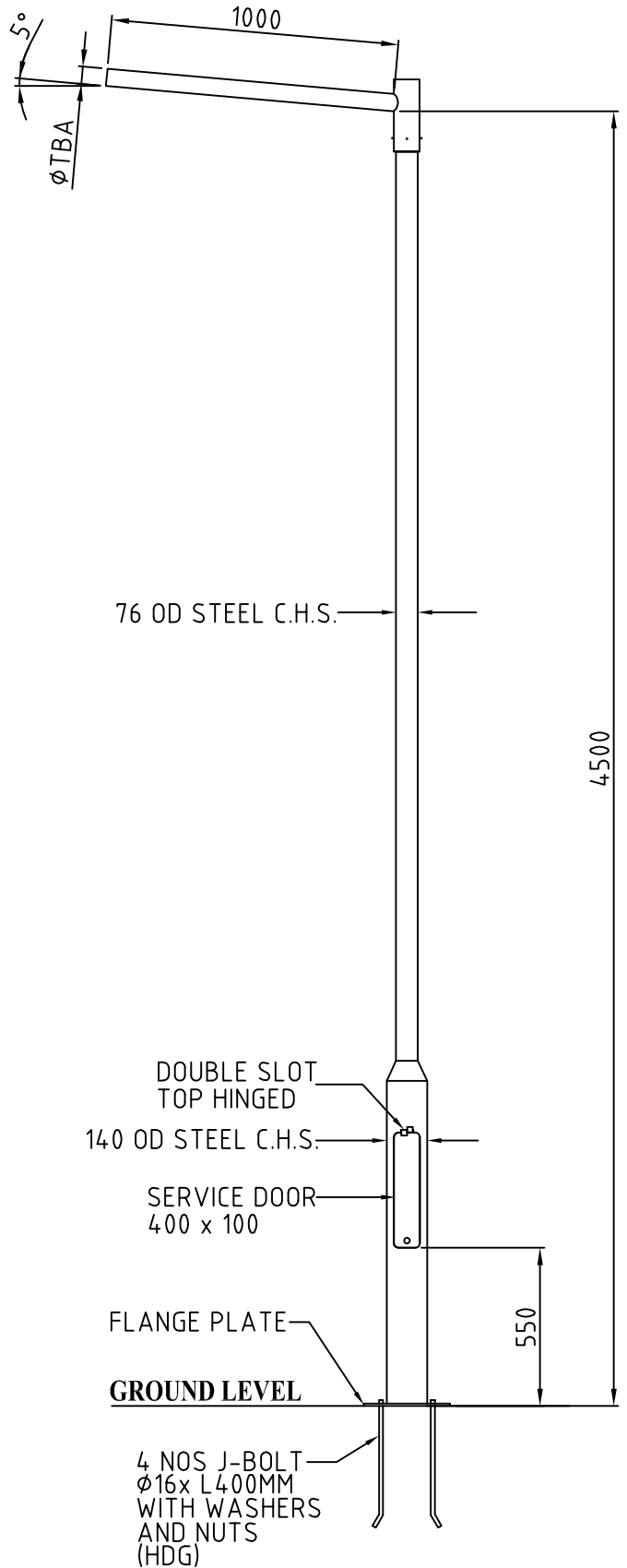
**J-BOLT**  
(HDG)



**SERVICE DOOR DETAIL**



**FLANGE PLATE**



**FLANGE MOUNTED TYPE**

**NOTE:**

- 1) MATERIALS STRESS TO S275/Q235 OR EQUIVALENT.
- 2) HOT DIP GALVANIZING CONFORM TO EN ISO 1461-2009.
- 3) WELDING CONFORMS TO BS EN 1011-2-2001/AWS D1.1.
- 4) POLE CONFORM TO BS EN 40-5:2002 AND DESIGN TO WITHSTAND 35m/SEC WIND SPEED.

<b>DRAWING NO.:</b>	TMC-DP0045-PT-FMT	<b>DRAWING TITLE:</b>	4.5 M LIGHTING COLUMN	<b>REVISION DATE:</b>
		<b>CLIENT'S STAMP &amp; CHOP</b>		<b>A:</b>
		<b>DATE:</b>		<b>B:</b>
<b>SCALE:</b>	N.T.S.	<b>WEIGHT:</b>		<b>C:</b>
				<b>D:</b>