



LED Performer High Power Bulb

Features

- High lumen output up to 117lm/W
- Better design and keep the heat off
- Energy efficient

Benefits

- Easy replace 50-250W HID
- 2.5 times lifetime longer than HID
- Up to 44% energy savings compared to HID

Application



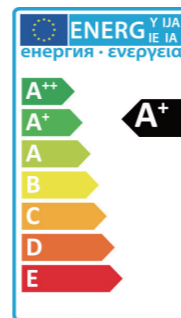
Specification

Product Description	Power (W)	Power Factor	Lumen (lm)	Efficacy (lm/W)	Beam Angle	CRI	CCT (K)	Average Lifetime(hrs)	Energy Level
LED P HPB E27 28W	28	0.95	2800	100	70°/140°	80	5700K	25000	A+
LED P HPB E27 40W	40	0.95	4000	100	70°/140°	80	5700K	25000	A+
LED P HPB E40 70W	70	0.95	7000	100	70°/140°	80	4000K/5700K	25000	A+
LED P HPB E40 90W	90	0.95	9000	100	70°/140°	80	4000K/5700K	25000	A+
LED P HPB E40 105W	105	0.95	12000	114	140°	80	5700K	25000	A+
LED P HPB E40 120W	120	0.95	14000	117	140°	80	5700K	25000	A+

Electrical Supply	
Frequency (Hz)	50/60Hz
Voltage (V)	220V-240V
AC / DC	AC

Application conditions	
IP	IP20
Operating Temperature	-20°C-45°C
Application Temperature	25°C
Storage Environment	-25°C-50°C

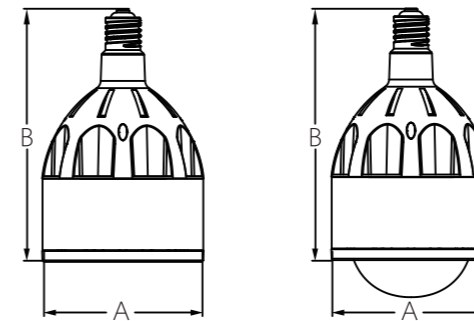
Mechanical Properties	
Optical Material	PC
Housing Material	PBT + Aluminum
Finishing Colour	White



Packaging Information

Product Description	Single Box(1pc/box)		Outer box		
	Dimensions(mm) (HxWxL)	Gross Weight (kg)	Dimensions(mm) (HxWxL)	Gross Weight (kg)	BOX QTY
LED P HPB E27 28W 70D	224*224*271	1.176	690*465*290	7.056	6
LED P HPB E27 28W 140D	224*224*313	1.183	690*465*330	7.098	6
LED P HPB E27 40W 70D	224*224*271	1.176	690*465*290	7.056	6
LED P HPB E27 40W 140D	224*224*313	1.186	690*465*330	7.116	6
LED P HPB E40 70W 70D	224*224*286	1.684	750*500*305	10.104	6
LED P HPB E40 70W 140D	224*224*368	1.764	750*500*385	10.584	6
LED P HPB E40 90W 70D	224*224*361	2.161	750*500*380	12.966	6
LED P HPB E40 90W 140D	224*224*403	2.199	750*500*420	13.194	6
LED P HPB E40 105W 140D	226*226*390	2.298	695*465*410	13.778	6
LED P HPB E40 120W 140D	226*226*410	2.57	695*465*430	15.42	6

Dimensional Drawing



	28W/40W 70°	28W/40W 140°	70W 70°	70W 140°
A (mm)	Φ181	Φ181	Φ181	Φ181
B (mm)	207	249	247	289

	90W 70°	90W 140°	105W 140°	120W 140°
A (mm)	Φ181	Φ181	Φ181	Φ181
B (mm)	282	324	344	364

LED Performer High Power Bulb Accessories

Packaging Information

PIC	Product Description	Cap	Single Box(1pc/box)		Outer box		
			Dimensions(mm) (HxWxL)	Gross Weight (kg)	Dimensions(mm) (HxWxL)	Gross Weight (kg)	BOX QTY
	P HPB Accessory Wall Mounted E27	E27	183*117*188	0.910	565*485*205	10.920	12
	P HPB Accessory Wall Mounted E40	E40	183*117*188	1.046	565*485*205	12.552	12
	P HPB Accessory Rod Mounted E27	E27	134*134*154	0.470	555*420*175	5.640	12
	P HPB Accessory Rod Mounted E40	E40	134*134*154	0.607	555*420*175	7.284	12
	P HPB Accessory Surface Mounted E27	E27	174*174*108	0.546	540*365*235	6.552	12
	P HPB Accessory Surface Mounted E40	E40	174*174*108	0.688	540*365*235	8.256	12
	P HPB Accessory Hook Mounted E27	E27	134*134*154	0.494	555*420*175	5.928	12
	P HPB Accessory Hook Mounted E40	E40	134*134*154	0.627	555*420*175	7.524	12