

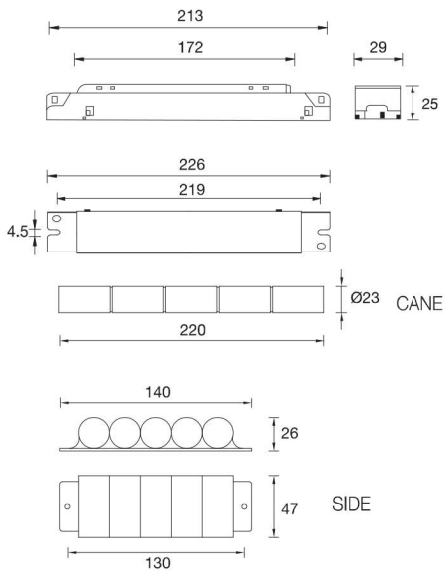


● MEM/M/LED MINI

● 6.0V 1.8AH  
(Cane)

or

● 6.0V 1.8AH  
(Side)



Dimension: mm NTS



LED Lamp



Type and batch tested with  
PSB PLS-LISTED LABEL



## TECHNICAL DATA

Mode of Operation	: Maintained*
Lamp	: LED Lamp
Rated Duration	: 2hrs and others
Mains Supply	: 230 Volts, 50/60Hz
Power Consumption	: < 2.9W
Battery	: High temp Nickel Cadmium
Charge Monitor	: Green LED Ø5mm
Test Facility	: Push button switch
Safety Feature	: Low volt cut-off preventing battery overdischarge
Fitting Construction	: Electro galvanised steel with epoxy powder coating
Weight (Module only)	: 0.20kg (gross)
Compliance	: IEC 61347-2-7, IEC 61347-2-13, IEC 62384
Warranty	: 1 year

## ORDERING GUIDE (Please check with Sales Dept if customisation is required)

Model	Lamp
MEM/M/LED MINI	2ft to 5ft T5/T8 LED Lamp

\*Note:

Can be incorporated into combined maintained, combined non-maintained and non-maintained mode of operation.

\*\* Please ensure that your LED Lamp & Driver are suitable for Emergency installation.