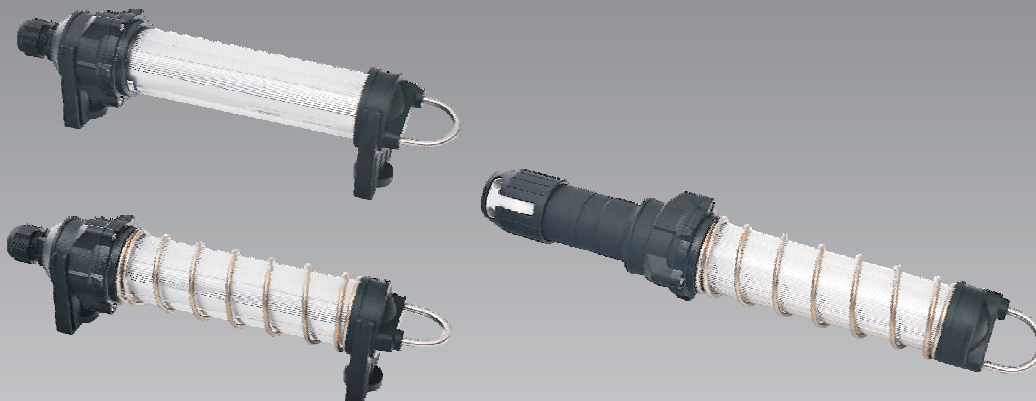


## CZ1260



### 描述:

防爆灯壳体两端由合金塑料制成，透明罩用聚碳酸酯注塑成型，内装LED光源，具有重量轻，使用方便，可满足极端恶劣的条件下使用。

防爆检修灯用于移动检修照明，采用六面体外形设计，具有多个照明角度便于着地使用，灯具前端设有360°可转动挂钩，配有不锈钢保护网罩。灯具可采用固定式安装，固定支架设计成U型插口带有弹性，方便灯具存取。

防爆设备灯用于设备照明和局部照明。安装在固定支架上可调节照明角度。

- 设备灯可选配不锈钢保护网罩。
- 可选配固定支架和带磁铁固定支架。
- 可选配不同电压的防爆插头。
- IECEx、ATEX 认证。

### Descriptions:

The enclosure of explosion-proof light fittings are made of alloy plastic and the transparent parts are made of polycarbonate, built-in LED particle which have light weight, easy to use, can be used under extremely conditions.

The Explosion-proof overhaul light fittings are used for mobile maintenance repair lighting, using hexahedral shape design, with multiple lighting Angle for land use, the front end of light fittings are equipped with 360° rotating hook. It can adopt fixed installation, fixed bracket designed to U socket with shape for convenient access of light fittings.

The explosion-proof equipment light fittings are used for lighting and local lighting. Those installed on the fixed bracket can adjust the lighting angle.

- Optional stainless steel mesh cover.
- Optional fixed bracket and fixed bracket with magnet.
- Optional different voltage explosion-proof plug.
- IECEx, ATEX Certification.

1 区和 2 区

Zone 1 and zone 2

21 区和 22 区

Zone 21 and zone 22

主要数据 Main technical data:



质量特点  
**QUALITY DETAIL**

防爆灯壳体由塑料制成，内装LED光源，具有重量轻，使用方便，可满足极端恶劣的条件下使用。

适用范围：用于1区和2区，用于21区和22区

防爆标志：Ⓔ II 2GD Ex db eb II C T6 Gb; Ex tb IIIC T80°C Db (Ta ≤ +40°C)  
Ⓔ II 2GD Ex db eb II C T5 Gb; Ex tb IIIC T95°C Db (Ta ≤ +55°C)

防护等级：IP66 / IP67

使用环境温度：-40°C ≤ Ta ≤ +55°C

额定功率：LED 11W (615 Lm)

重量：0.6 ~ 0.76 kg

Explosion-proof light fittings are made of plastic, with LEDs internally. They are light and easy operation, also can be used in extremely harsh conditions.

Intended use: Can be used in zone 1 and zone 2, can be used in zone 21 and zone 22

Ex mark: Ⓔ II 2GD Ex db eb II C T6 Gb; Ex tb IIIC T80°C Db (Ta ≤ +40°C)  
Ⓔ II 2GD Ex db eb II C T5 Gb; Ex tb IIIC T95°C Db (Ta ≤ +55°C)

Degree of protection: IP66 / IP67

Ambient temperature: -40°C ≤ Ta ≤ +40°C/+55°C

Rated power: LED 11W (615Lm)

Weight: 0.6 ~ 0.76 kg



**1** ATEX 欧盟认证  
IECEX 国际认证  
ATEX, IECEX Certification

**2** 亮度高，  
内置高品质LED光源  
Brilliant performance with high quality LED

**3** 360 旋转挂钩  
360 Rotating hook on top

**5** 防滚动设计  
Anti-rolling design

**4** 高强度透明外壳防眩光设计  
Impact resistant transparent enclosure  
with anti-glare design

**6** 不锈钢保护网罩  
Stainless steel cover

主要数据 Main technical data:

认证 Certification	防爆标志 Ex mark	符合标准 Meet the standard
China: CE14.1058X	Ex d e II C T6 Gb; DIP A21 TA, T6 ( Ta ≤ +40°C ) Ex d e II C T5 Gb; DIP A21 TA, T5 ( Ta ≤ +55°C )	GB3836 GB12476
IECEX: IECEX TUR 15.0038X	Ex d e II C T6 Gb; Ex tb III C T80°C Db ( Ta ≤ +40°C ) Ex d e II C T5 Gb; Ex tb III C T95°C Db ( Ta ≤ +55°C )	IEC60079
ATEX: TÜV 15ATEX 7749X	Ⓜ II 2GD Ex d e II C T6 Gb; Ex tb III C T80°C Db ( Ta ≤ +40°C ) Ⓜ II 2GD Ex d e II C T5 Gb; Ex tb III C T95°C Db ( Ta ≤ +55°C )	EN60079

适用范围: 用于 1 区和 2 区, 用于 21 区和 22 区

防护等级: IP66 (设备灯), IP67 (检修灯)

额定电压: 12-36V AC 50/60Hz 12-48V DC

100-250V AC/DC 50/60Hz

48-110V AC 50/60Hz 70-110V DC

额定功率: LED 11W

光通量: 615 Lm

使用环境温度: -20°C ≤ Ta ≤ +40°C/+55°C

-40°C ≤ Ta ≤ +40°C/+55°C

接线端子: 端子 2 ~ 2.5mm<sup>2</sup>

电缆入口: 检修灯: 电缆外径 Φ8-17mm

设备灯: 标配塑料 1 M25 1.5

电缆外径 Φ8-17mm

Intended use: Can be used in zone 1 and zone 2

Can be used in zone 21 and zone 22

Degree of protection: IP66 (equipment light fittings), IP67 (overhaul light fittings)

Rated voltage: 12-36V AC 50/60Hz 12-48V DC

100-250V AC/DC 50/60Hz

48-110V AC 50/60Hz 70-110V DC

Rated power: LED 11W

Luminous flux: 615 Lm

Ambient temperature: -20°C ≤ Ta ≤ +40°C/+55°C

-40°C ≤ Ta ≤ +40°C/+55°C

Terminal: terminal 2 ~ 2.5mm<sup>2</sup>

Cable entry: Overhaul light fittings: outside diameter: Φ8-17mm

Equipment light fittings: moulded plastic 1 M25 1.5

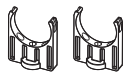
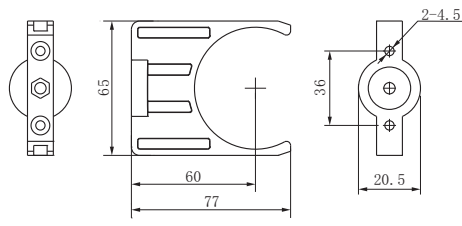
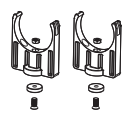
outside diameter: Φ8-17mm

订购规格 Order specifications:

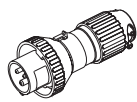


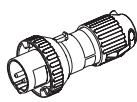

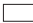
图样 Illustration	结构型式 Structural type	额定电压 Rated voltage	重量 Weight	订购号 Order No.
	检修灯 带钢丝网罩 Overhaul light fittings with steel mesh cover	12-36V AC 50/60Hz 12-48V DC	0.760kg	<b>CZ1260/1-LED11W-0□B</b>
		100-250V AC/DC 50/60Hz	0.760kg	<b>CZ1260/1-LED11W-1□B</b>
		48-110V AC 50/60Hz 70-110V DC	0.760kg	<b>CZ1260/1-LED11W-2□B</b>
	设备灯 带钢丝网罩 Equipment light fittings with steel mesh cover	12-36V AC 50/60Hz 12-48V DC	0.600kg	<b>CZ1260/2-LED11W-0□B</b>
		100-250V AC/DC 50/60Hz	0.600kg	<b>CZ1260/2-LED11W-1□B</b>
		48-110V AC 50/60Hz 70-110V DC	0.600kg	<b>CZ1260/2-LED11W-2□B</b>
	设备灯 不带钢丝网罩 Equipment light fittings without steel mesh cover	12-36V AC 50/60Hz 12-48V DC	0.700kg	<b>CZ1260/2-LED11W-0□A</b>
		100-250V AC/DC 50/60Hz	0.700kg	<b>CZ1260/2-LED11W-1□A</b>
		48-110V AC 50/60Hz 70-110V DC	0.700kg	<b>CZ1260/2-LED11W-2□A</b>

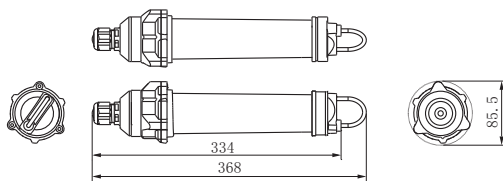
L— -20°C ≤ Ta ≤ +40°C/+55°C } 使用环境温度  
 H— -40°C ≤ Ta ≤ +40°C/+55°C } Ambient temperature

**安装附件 Mounting accessories:**

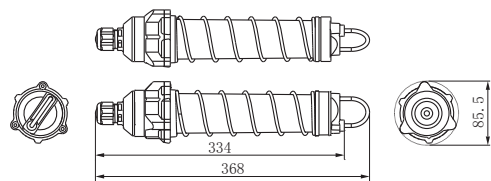
图样 Illustration	描述 Descriptions	件/包 Pcs/package	重量 Weight	订购号 Order No.
固定支架 Fixed bracket 		2	0.019kg	<b>D8744/1</b>
带磁铁固定支架 With magnet fixed bracket 		2	0.051kg	<b>D8744/2</b>

**备件 Spare parts:**

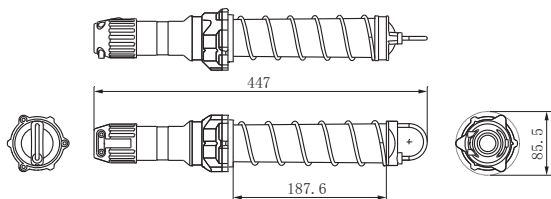
图样 Illustration	描述 Descriptions	重量 Weight	订购号 Order No.
	 防爆插头16A/3P: 110-130V AC/DC 50/60Hz Explosion-proof plug	0.220kg	<b>CZ0251-7304 00-01</b>
	 防爆插头16A/3P: 200-250V AC/DC 50/60Hz Explosion-proof plug	0.220kg	<b>CZ0251-7306 00-01</b>
	 防爆插头16A/2P: 20-25V AC 50/60Hz Explosion-proof plug	0.200kg	<b>CZ0251-7200 00-01</b>
	 防爆插头16A/2P: 20-50V DC Explosion-proof plug	0.200kg	<b>CZ0251-7210 00-01</b>

**外形尺寸 Outline dimensions: 单位 Unit: mm**


防爆设备灯 (不带钢丝网罩)  
Explosion-proof equipment light fittings  
(without steel mesh cover)



防爆设备灯 (带钢丝网罩)  
Explosion-proof equipment light fittings  
(with steel mesh cover)



防爆检修灯  
Explosion-proof overhaul light fittings