



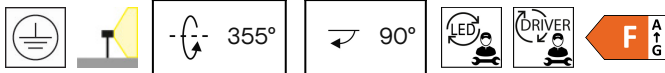
## Gamma

Josep Patsi

Table lamp Gamma LED 4.3W LED warm-white 2700K ON-OFF White 319lm

### Technical features

- Luminaire total power: 4.3W
- Real lumens: 319
- Real lm/W: 74
- Correlated Colour Temperature (CCT): LED warm-white 2700K
- Lens / reflector angle: MEDIUM 34°
- Structure material: Steel, Aluminium
- Structure finish: White
- Driver Brand: HEP
- Voltage / frequency: 100-240V/50-60Hz
- Dimming protocol: ON-OFF
- Power Factor: 0.50
- Useful life: 50,000h L80B20
- Warranty: 5 years
- Easily recyclable luminaire



### Luminotechnic features

- CRI: 80
- MacAdam steps: 2
- Photobiological risk: RG1

| Lampholder | Quantity | Light source power (W) | Correlated Colour Temperature (CCT) |
|------------|----------|------------------------|-------------------------------------|
| LED        | 1        | 3.2W                   | LED warm-white 2700K                |

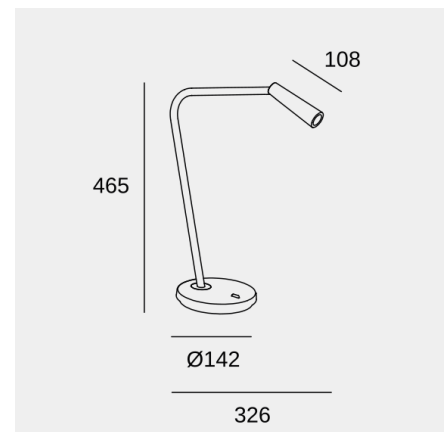


Image may not match reference. LedsC4 reserves the right to amend any of the product's components. The data related to flux, power and colour temperature may be subject to changes made by the manufacturer.



## Gamma

Josep Patsi

Table lamp Gamma LED 4.3W LED warm-white 2700K ON-OFF White 319lm

### Logistics



x 2

Net weight (kg): 1.36

Packaged weight (kg): 2.63

Packaging: 340mm x 220mm x  
520mm

### Light application



Image may not match reference. LedsC4 reserves the right to amend any of the product's components. The data related to flux, power and colour temperature may be subject to changes made by the manufacturer.