



SELECTOR SWITCH, CAN BE ILLUM., 22MM, ROUND, PLASTIC, BLACK, WHITE, SHORT SELECTOR SWITCH, 3 SWITCH POSITIONS I-O-II, MOMENTARY CONTACT TYPE, ACTUATING ANGLE 2X45 DEG., 10:30H/12H/13:30H

Figure similar

product brand name		SIRIUS ACT
Product designation		Control and signaling units
Design of the product		Selector switch

**Actuator:**

<b>Design of the operating mechanism</b>		Selector switch, short black handle
<b>Manner of function of the actuating element</b>		momentary contact type, 2x45° (10:30h/12h/13:30h), retraction on both sides
<b>Product expansion optional Light source</b>		Yes
<b>Color of the actuating element</b>		White
<b>Material of the actuating element</b>		plastic
<b>Shape of the actuating element</b>		Handle
<b>Outer diameter of the actuating element</b>	mm	30.9
<b>Number of switching positions</b>		3
<b>Actuating angle</b>		
• clockwise	°	45
• anticlockwise	°	45

**Front ring:**

<b>Product component front ring</b>		Yes
<b>Design of the front ring</b>		standard
<b>Material of the front ring</b>		plastic
<b>Color of the front ring</b>		black

**General technical data:**

<b>Vibration resistance</b>		
• acc. to IEC 60068-2-6		10 ... 500 Hz: 5g
<b>Operating frequency maximum</b>	1/h	1 800

<b>Mechanical service life (switching cycles)</b>		
• typical		1 000 000
<b>Equipment marking</b>		
• acc. to DIN EN 61346-2		S
• acc. to DIN EN 81346-2		S

#### Ambient conditions:

<b>Ambient temperature</b>		
• during operation	°C	-25 ... +70
• during storage	°C	-40 ... +80

#### Installation/ mounting/ dimensions:

<b>Height</b>	mm	30.9
<b>Width</b>	mm	29.45
<b>Shape of the installation opening</b>		round
<b>Mounting diameter</b>	mm	22

#### Certificates/ approvals:

#### Further information

**Information- and Downloadcenter (Catalogs, Brochures,...)**

<http://www.siemens.com/industrial-controls/catalogs>

**Industry Mall (Online ordering system)**

<http://www.siemens.com/industrymall>

**Cax online generator**

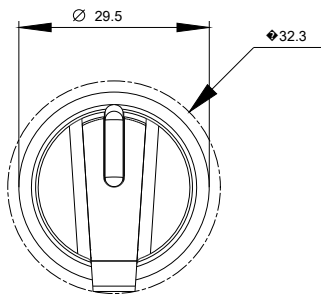
<http://support.automation.siemens.com/WW/CAXorder/default.aspx?lang=en&mlfb=3SU10022BM600AA0>

**Service&Support (Manuals, Certificates, Characteristics, FAQs,...)**

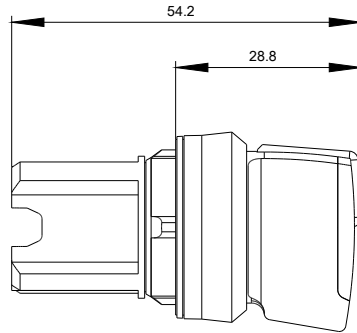
<http://support.automation.siemens.com/WW/view/en/3SU10022BM600AA0/all>

**Image database (product images, 2D dimension drawings, 3D models, device circuit diagrams, EPLAN macros, ...)**

[http://www.automation.siemens.com/bilddb/cax\\_de.aspx?mlfb=3SU10022BM600AA0&lang=en](http://www.automation.siemens.com/bilddb/cax_de.aspx?mlfb=3SU10022BM600AA0&lang=en)



last modified:



09.03.2015