



PUSHBUTTON, 22MM, ROUND, PLASTIC, BLACK, FLAT BUTTON, MOMENTARY CONTACT TYPE

Figure similar

|                       |  |                                  |
|-----------------------|--|----------------------------------|
| product brand name    |  | SIRIUS ACT                       |
| Product designation   |  | Commanding and signaling devices |
| Design of the product |  | Pushbutton                       |

**Actuator:**

|   |    |                             |
|---|----|-----------------------------|
| Design of the operating mechanism           |    | pushbutton with flat button |
| Manner of function of the actuating element |    | Momentary contact type      |
| Product expansion optional Light source     |    | No                          |
| Color                                       |    |                             |
| • of the actuating element                  |    | black                       |
| Material of the actuating element           |    | plastic                     |
| Shape of the actuating element              |    | round                       |
| Outer diameter of the actuating element     | mm | 29.45                       |
| Type of unlocking device                    |    | without                     |

**Front ring:**

|                              |  |          |
|------------------------------|--|----------|
| Product component front ring |  | Yes      |
| Design of the front ring     |  | Standard |
| Material of the front ring   |  | plastic  |
| Color of the front ring      |  | black    |

**General technical data:**

|  |     |                   |
|--|-----|-------------------|
| Vibration resistance                       |     |                   |
| • acc. to IEC 60068-2-6                    |     | 10 ... 500 Hz: 5g |
| Operating frequency maximum                | 1/h | 3 600             |
| Mechanical service life (switching cycles) |     |                   |
| • typical                                  |     | 10 000 000        |

|                          |  |   |
|--------------------------|--|---|
| <b>Equipment marking</b> |  |   |
| • acc. to DIN EN 61346-2 |  | S |
| • acc. to DIN EN 81346-2 |  | S |

**Ambient conditions:**

|                            |    |             |
|----------------------------|----|-------------|
| <b>Ambient temperature</b> |    |             |
| • during operation         | °C | -25 ... +70 |
| • during storage           | °C | -40 ... +80 |

**Installation/ mounting/ dimensions:**

|  |    |       |
|--|----|-------|
| <b>Height</b>                            | mm | 29.45 |
| <b>Width</b>                             | mm | 29.45 |
| <b>Shape of the installation opening</b> |    | round |
| <b>Mounting diameter</b>                 | mm | 22    |

**Certificates/ approvals:**

**Further information**

**Information- and Downloadcenter (Catalogs, Brochures,...)**

<http://www.siemens.com/industrial-controls/catalogs>

**Industry Mall (Online ordering system)**

<http://www.siemens.com/industrymall>

**Cax online generator**

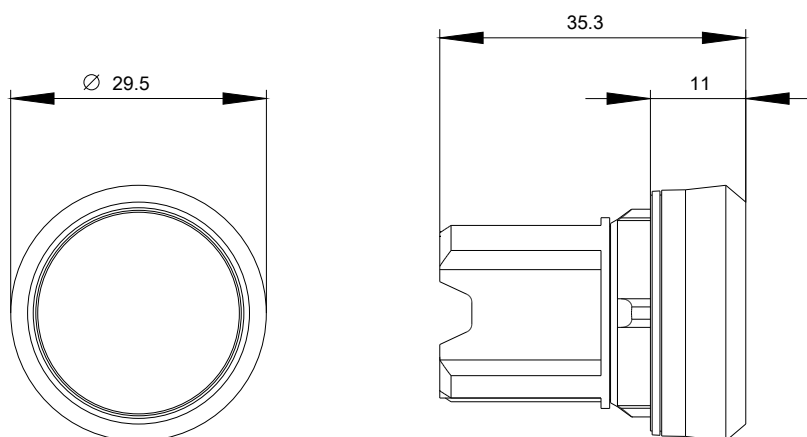
<http://support.automation.siemens.com/WW/CAXorder/default.aspx?lang=en&mfb=3SU10000AB100AA0>

**Service&Support (Manuals, Certificates, Characteristics, FAQs,...)**

<http://support.automation.siemens.com/WW/view/en/3SU10000AB100AA0/all>

**Image database (product images, 2D dimension drawings, 3D models, device circuit diagrams, EPLAN macros, ...)**

[http://www.automation.siemens.com/bilddb/cax\\_de.aspx?mfb=3SU10000AB100AA0&lang=en](http://www.automation.siemens.com/bilddb/cax_de.aspx?mfb=3SU10000AB100AA0&lang=en)



last modified:

09.03.2015