



俄罗斯CU-TR认证
Customs Union CU-TR Approval



IEC Ex国际认证
International IEC Ex Approval



ATEX 欧洲认证
Europe union ATEX Approval

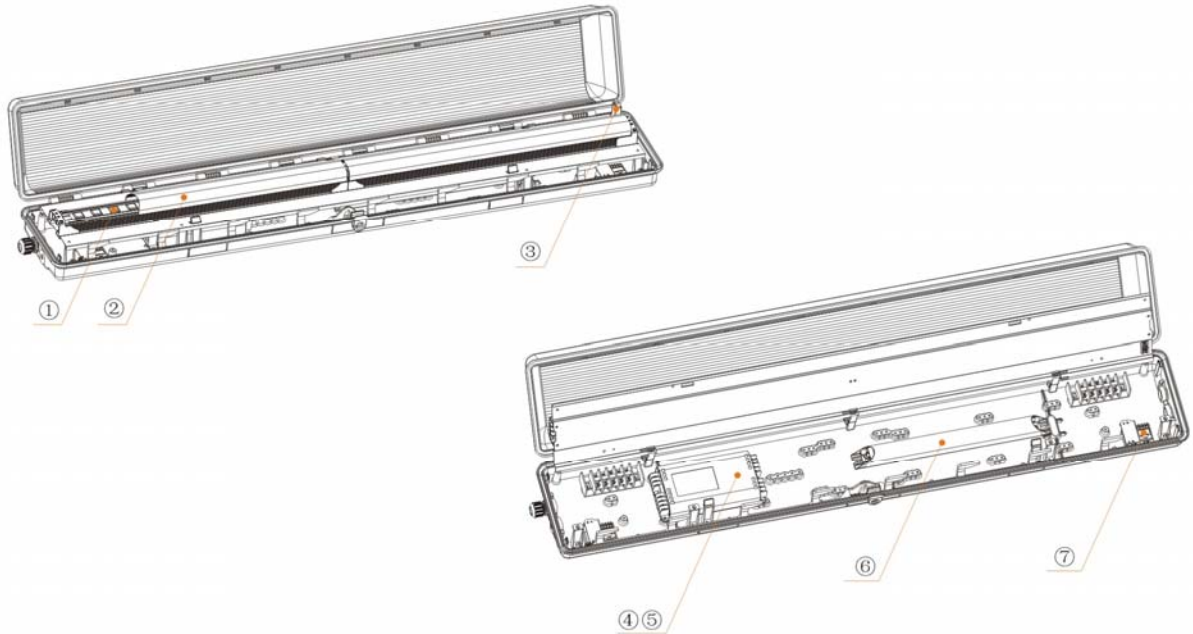


2016

CZ0865、CZ0866 全塑防爆LED(应急)条形灯
Full plastic explosion-proof LED (emergency) linear light fittings



● 示意图 Diagram:



全塑防爆LED条形灯 CZ0866/2 × LED 30W□
Full plastic explosion-proof LED linear light fittings

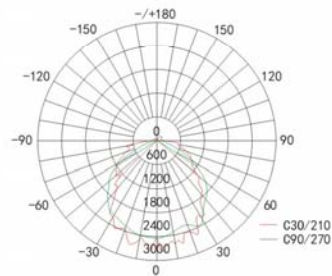
- ① LED 光源模块 LED light source module
- ② 柔光罩 (可选) Diffusor (optional)
- ④ 防爆电源模块 Explosion-proof power supply module
- ⑦ 防爆隔离开关 Explosion-proof isolation switches

全塑防爆LED应急条形灯 CZ0866/2 × LED 30W□ YJ
Full plastic explosion-proof LED (emergency) linear light fittings

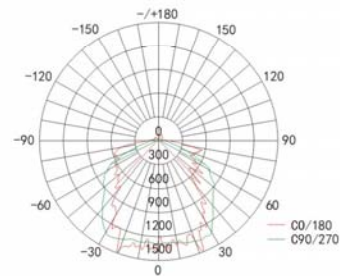
- ① LED 光源模块 Led light source module
- ② 柔光罩 (可选) Diffusor
- ③ 防爆指示灯 Explosion-proof Indicator light
- ⑤ 防爆逆变器 Explosion-proof inverter
- ⑥ 防爆电池 Explosion-proof battery
- ⑦ 防爆隔离开关 Explosion-proof isolation switches

● 配光曲线 Luminous intensity distribution curve:

光强单位 luminous intensity unit: cd



平均光束角 (50%) : 104.6度
The average beam angle (50%) : 104.6 Degree
CZ0866/2 × LED30W1 (无柔光罩)
Without diffusor



平均光束角 (50%) : 105.2度
The average beam angle (50%) : 105.2 Degree
CZ0865/LED30W1 (无柔光罩)
Without diffusor

1 区和 2 区

Zone 1 and zone 2

21 区和 22 区

Zone 21 and zone 22

● 主要数据 Main technical data:

认证 Certification | 防爆标志 Ex mark | 符合标准 Meet the standard

China (PCEC Ex)	Ex d e mb q II C T6/T5 Gb	Ex tD A21 IP66 T80°C/T85°C	GB3836 GB12476
IECEX	Ex db eb mb op is q II C T6/T5 Gb	Ex tb III C T80°C/T85°C Db	IEC60079
ATEX	Ex II 2 G D Ex db eb mb op is q II C T6/T5 Gb	Ex tb III C T80°C/T85°C Db	EN60079

适用范围: 用于1区和2区, 用于21区和22区

使用环境温度: -25°C ≤ Ta ≤ +50°C/+55°C

防护等级: IP66

额定电压: 100~250V AC

电 流: CZ0865/1×LED 30W: Max 0.17A

CZ0866/2×LED 30W: Max 0.3A

色 温: 5700K

显色指数: Ra ≥ 75

功率因数: λ > 0.95

接线端子: L1、L2、L、N、PE, 每个端子 2 × 1.5-10mm²

电缆入口: 塑制 1 × M25 × 1.5, 电缆外径: Φ8-17mm

塑制 2 × M25 × 1.5 空塞堵头

杆式安装: 塑制 1 × M25 × 1.5, 电缆外径: Φ8-17mm

Intended use: Can be used in zone 1 and zone 2

Can be used in zone 21 and zone 22

Ambient temperature use: -25°C ≤ Ta ≤ +50°C/+55°C

Degree of protection: IP66

Rated voltage: 100~250V AC

Current: CZ0865/1×LED 30W: Max 0.17A

CZ0866/2×LED 30W: Max 0.3A

Color temperature: 5700K

Color rendering index: Ra ≥ 75

Power factor: λ > 0.95

Terminals: L1, L2, L, N, PE, each terminal 2 × 1.5-10mm²

Cable entry: Moulded plastic 1 × M25 × 1.5 cable gland,

Outside diameter of cable: Φ8-17mm

Moulded plastic 2 × M25 × 1.5 stopping plugs

Pole mounting:

Moulded plastic 1 × M25 × 1.5 cable gland,

Outside diameter of cable: Φ8-17mm

● 全塑防爆LED条形灯订购规格

Order specifications of full plastic explosion-proof LED linear light fittings :

图 样 Illustration	光源功率 Power of light source	光通量 (lm) Luminous flux	重 量 Weight	订购号 Order No.
	1×LED 30W 无柔光罩 Without diffusor	3700	5.5kg	CZ0865 / 1 × LED30W1-B+ <input type="checkbox"/>
	1×LED 30W 有柔光罩 With diffusor	3000	5.6kg	CZ0865 / 1 × LED30W2-B+ <input type="checkbox"/>
	2×LED 30W 无柔光罩 Without diffusor	7000	8.9kg	CZ0866 / 2 × LED30W1-B+ <input type="checkbox"/>
	2×LED 30W 有柔光罩 With diffusor	5600	9.1kg	CZ0866 / 2 × LED30W2-B+ <input type="checkbox"/>

电缆引入装置编码 Code of cable gland ←

安装附件订购号 (不配不注) 见 G04 页 ←
Order No. of mounting accessories (No matching not noted), see page G04

● 全塑防爆LED条形灯(杆式安装)订购规格

Order specifications of full plastic explosion-proof LED linear light fittings (Pole Mounting) :

图 样 Illustration	光源功率 Power of light source	光通量 (lm) Luminous flux	重 量 Weight	订购号 Order No.
	1×LED 30W 无柔光罩 Without diffusor	3700	7.2kg	CZ0865 / 1 × LED30W1-PM+ <input type="checkbox"/>
	1×LED 30W 有柔光罩 With diffusor	3000	7.3kg	CZ0865 / 1 × LED30W2-PM+ <input type="checkbox"/>
	2×LED 30W 无柔光罩 Without diffusor	7000	10.6kg	CZ0866 / 2 × LED30W1-PM+ <input type="checkbox"/>
	2×LED 30W 有柔光罩 With diffusor	5600	10.8kg	CZ0866 / 2 × LED30W2-PM+ <input type="checkbox"/>

安装附件订购号 (不配不注) 见 G04 页 ←
Order No. of mounting accessories (No matching not noted), see page G04

● 主要数据 Main technical data:

认证 Certification | 防爆标志 Ex mark | 符合标准 Meet the standard

China (PCEC Ex)	Ex d e mb q II C T6/T5 Gb	Ex tD A21 IP66 T80°C/T85°C	GB3836 GB12476
IECEX	Ex db eb mb op is q II C T6/T5 Gb	Ex tb III C T80°C/T85°C Db	IEC60079
ATEX	Ex II 2 GD Ex db eb mb op is q II C T6/T5 Gb	Ex tb III C T80°C/T85°C Db	EN60079

适用范围: 用于 1 区和 2 区, 用于 21 区和 22 区
使用环境温度: $-25^{\circ}\text{C} \leq T_a \leq +50^{\circ}\text{C}/+55^{\circ}\text{C}$
防护等级: IP66
额定电压: 100 ~ 250V AC
电 流: CZ0865/1 × LED 30W: Max 0.17A
CZ0866/2 × LED 30W: Max 0.3A
色 温: 5700K
显色指数: $R_a \geq 75$
功率因数: $\lambda > 0.95$
充电时间: 24h
应急启动时间: 0.1 (S)
应急照明时间: > 120 (min)
接线端子: L1, L2, L, N, PE, 每个端子 $2 \times 1.5\text{-}10\text{mm}^2$
电缆入口: 塑制 $1 \times M25 \times 1.5$, 电缆外径: $\Phi 8\text{-}17\text{mm}$
塑制 $2 \times M25 \times 1.5$ 空塞堵头
杆式安装: 塑制 $1 \times M25 \times 1.5$, 电缆外径: $\Phi 8\text{-}17\text{mm}$

Intended use: Can be used in zone 1 and zone 2
Can be used in zone 21 and zone 22
Ambient temperature use: $-25^{\circ}\text{C} \leq T_a \leq +50^{\circ}\text{C}/+55^{\circ}\text{C}$
Degree of protection: IP66
Rated voltage: 100 ~ 250V AC
Current: CZ0865/1 × LED 30W: Max 0.17A
CZ0866/2 × LED 30W: Max 0.3A
Color temperature: 5700K
Color rendering index: $R_a \geq 75$
Power factor: $\lambda > 0.95$
Recharging time: 24 h
Emergency starting time: 0.1 (S)
Emergency illuminating time: > 120 (min)
Terminals: L1, L2, L, N, PE, each terminal $2 \times 1.5\text{-}10\text{mm}^2$
Cable entry: Moulded plastic $1 \times M25 \times 1.5$ cable gland,
Outside diameter of cable: $\Phi 8\text{-}17\text{mm}$
Moulded plastic $2 \times M25 \times 1.5$ stopping plugs
Pole mounting:
Moulded plastic $1 \times M25 \times 1.5$ cable gland,
Outside diameter of cable: $\Phi 8\text{-}17\text{mm}$

● 全塑防爆应急LED条形灯订购规格

Order specifications of full plastic explosion-proof emergency LED linear light fittings :

图 样 Illustration	光源功率 Power of light source	光通量 (lm) Luminous flux		重 量 Weight	订购号 Order No.
		正常照明 Normal illumination	应急照明 Emergency illumination		
	1 × LED 30W 无柔光罩 Without diffusor	3700		8.6kg	CZ0865 / 1 × LED30W1 YJ-B+□
	1 × LED 30W 有柔光罩 With diffusor	3000		8.7kg	CZ0865 / 1 × LED30W2 YJ-B+□
	2 × LED 30W 无柔光罩 Without diffusor	7000		11.9kg	CZ0866 / 2 × LED30W1 YJ-B+□
	2 × LED 30W 有柔光罩 With diffusor	5600		12.1kg	CZ0866 / 2 × LED30W2 YJ-B+□

电缆引入装置编码 Code of cable gland ←

安装附件订购号 (不配不注) 见 G06 页 ←
Order No. of mounting accessories (No matching not noted), see page G06

● 全塑防爆应急LED条形灯(杆式安装)订购规格

Order specifications of full plastic explosion-proof emergency LED linear light fittings (Pole Mounting) :

图 样 Illustration	光源功率 Power of light source	光通量 (lm) Luminous flux		重 量 Weight	订购号 Order No.
		正常照明 Normal illumination	应急照明 Emergency illumination		
	1 × LED 30W 无柔光罩 Without diffusor	3700		9.8kg	CZ0865 / 1 × LED30W1 YJ-PM+□
	1 × LED 30W 有柔光罩 With diffusor	3000		9.9kg	CZ0865 / 1 × LED30W2 YJ-PM+□
	2 × LED 30W 无柔光罩 Without diffusor	7000		12.4kg	CZ0866 / 2 × LED30W1 YJ-PM+□
	2 × LED 30W 有柔光罩 With diffusor	5600		12.6kg	CZ0866 / 2 × LED30W2 YJ-PM+□

安装附件订购号 (不配不注) 见 G06 页 ←
Order No. of mounting accessories (No matching not noted), see page G06

● 安装附件 Accessories of mounting:

图样 Illustration	描述 Descriptions	单位 Unit	订购号 Order No.
吊杆式附件 Accessories for pendant type 		套Set	D622
吊链式附件 Accessories for chain type 		套Set	D623
夹管附件M8螺钉安装 Accessories for clamp type M8 bolt mounting 		G1¼" Φ42mm 钢制 Steel	套Set J200
		G1¼" Φ42mm 不锈钢 Stainless steel	套Set J200/304
		G1½" Φ48mm 钢制 Steel	套Set J300
		G1½" Φ48mm 不锈钢 Stainless steel	套Set J300/304
		G2" Φ60mm 钢制 Steel	套Set J400
		G2" Φ60mm 不锈钢 Stainless steel	套Set J400/304
吸顶式支架 Support for ceiling type 		钢制 Steel	套Set D621
		不锈钢 Stainless steel	套Set D621/304
可调安装支架 Adjustable mounting bracket 		套Set	D8738
井架安装支架 Mounting bracket of oil derrick 		套Set	D8730/1
壁式灯杆 Lamp pole of wall type 	用于CZ0865 LED条形灯 Used for CZ0865 LED linear light fittings	套Set	D8709/1A
	用于CZ0866 LED条形灯 Used for CZ0866 LED linear light fittings	套Set	D8709/2A
护兰式灯杆 Lamp pole of fence type 	用于CZ0865 LED条形灯 Used for CZ0865 LED linear light fittings	套Set	D8710/1A
	用于CZ0866 LED条形灯 Used for CZ0866 LED linear light fittings	套Set	D8710/2A
法兰式灯杆 Lamp pole of flange type 	用于CZ0865 LED条形灯 Used for CZ0865 LED linear light fittings	套Set	D8711/1A
	用于CZ0866 LED条形灯 Used for CZ0866 LED linear light fittings	套Set	D8711/2A
杆式墙壁安装支架 Wall mounting bracket of pole type 		套Set	D8739
护兰式灯杆 Lamp pole of fence type 	用于杆式安装条形灯 Use for pole mounting linear light fittings	套Set	D8740
法兰式灯杆 Lamp pole of flange type 		套Set	D8741
护兰式灯杆 Lamp pole of fence type 		套Set	D8705
法兰式灯杆 Lamp pole of flange type 		套Set	D8706
安装支架 Mounting bracket 	用于CZ0865 LED 条形灯 Used for CZ0865 LED linear light fittings	套Set	D8742/1
	用于CZ0866 LED 条形灯 Used for CZ0866 LED linear light fittings	套Set	D8742/2