



Diago

LedsC4 Team

Wall fixture IP65 Diago LED 9.8W LED warm-white 3000K ON-OFF Urban grey 680lm

Technical features

- Luminaire total power: 9.8W
- Real lumens: 680
- Real lm/W: 69
- Correlated Colour Temperature (CCT): LED warm-white 3000K
- Lens / reflector angle: FLOOD 96°
- Structure material: Aluminium
- Structure finish: Urban grey
- Diffuser material: Glass
- Diffuser finish: Transparent
- Driver Brand: HEP
- Voltage / frequency: 220-240V/50-60Hz
- Dimming protocol: ON-OFF
- Power Factor: 0.90
- Useful life: 50,000h L80B20
- Warranty: 5 years
- Resistant to marine environments: Yes
- Easily recyclable luminaire



Luminotechnic features

- CRI: 80
- MacAdam steps: 3
- Photobiological risk: RG1

Lampholder	Quantity	Light source power (W)	Correlated Colour Temperature (CCT)
LED	1	8W	LED warm-white 3000K

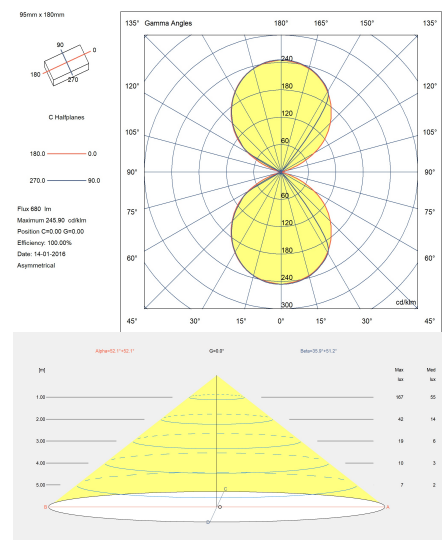
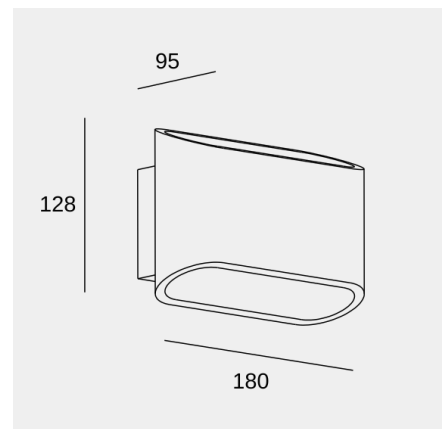


Image may not match reference. LedsC4 reserves the right to amend any of the product's components. The data related to flux, power and colour temperature may be subject to changes made by the manufacturer.



Diago

LedsC4 Team

Wall fixture IP65 Diago LED 9.8W LED warm-white 3000K ON-OFF Urban grey 680lm

Logistics



x 8

Net weight (kg): 1.52

Packaged weight (kg): 1.86

Packaging: 230mm x 170mm x 140mm

Image may not match reference. LedsC4 reserves the right to amend any of the product's components. The data related to flux, power and colour temperature may be subject to changes made by the manufacturer.